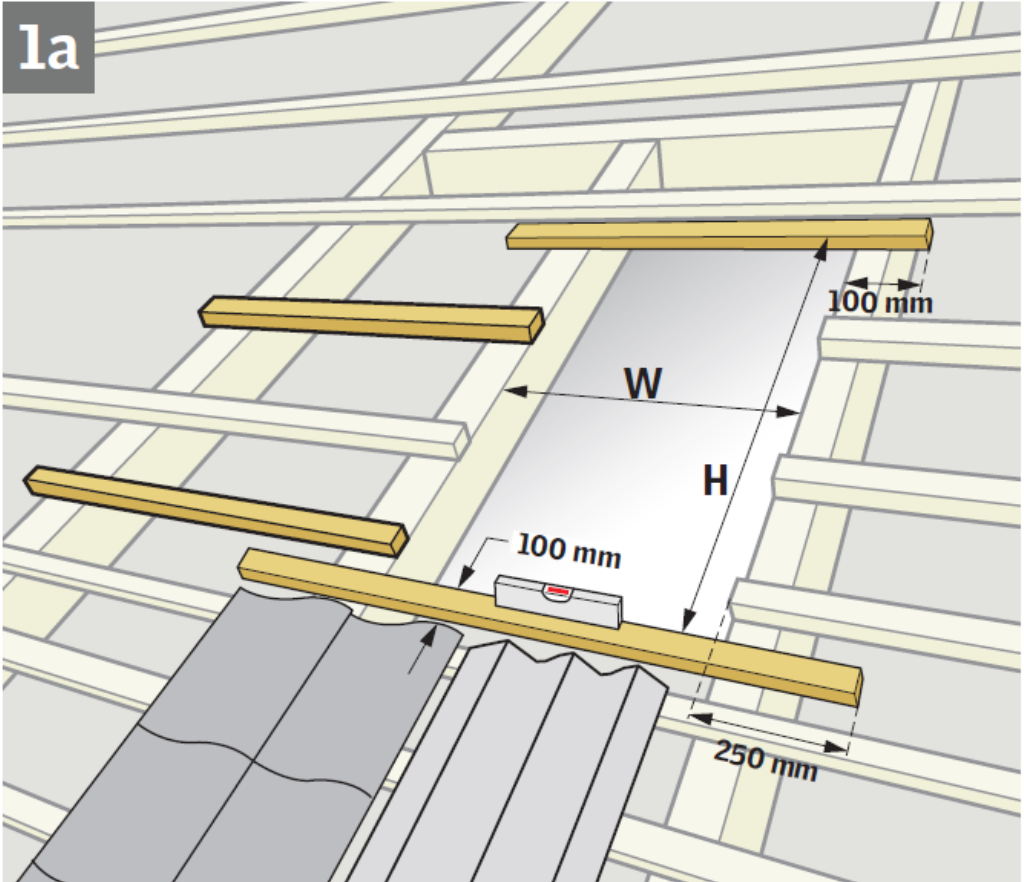
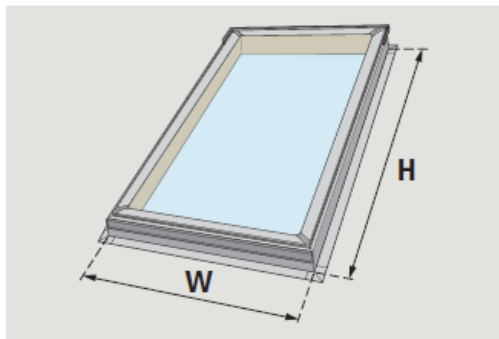


1a

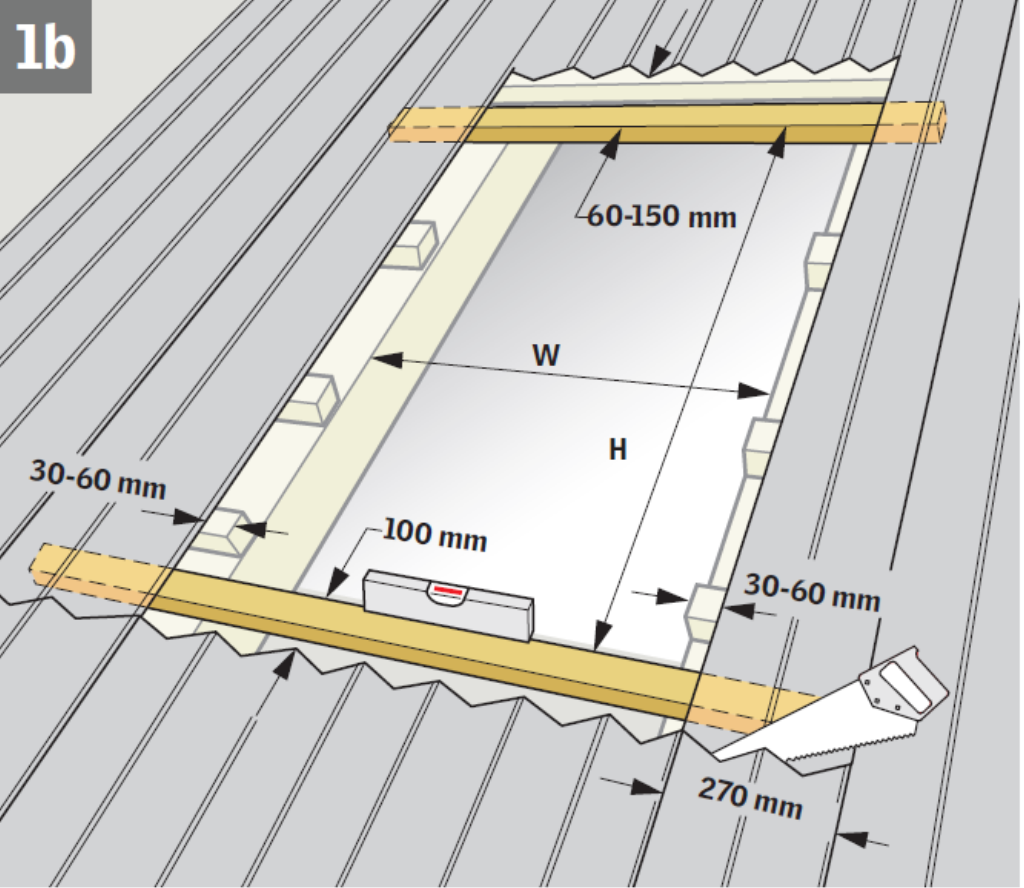


Tiles and new Metal roofing with EDW flashing

Tiles and new Metal sheet roofing with EDW
 Prepare the rough opening to match the size of the skylight frame.
 Install installation battens at top and bottom as shown and add support battens at the sides as necessary to support the flashing minimum 2-3 places.
 Keep 100 mm distance from edge of roofing material to top edge of installation batten.
For tiles, ensure that the bottom of skylight frame is fitted above a complete course of tiles.
 Check for level.



1b



Existing Metal sheet roofing with EDW flashing.

Cut the metal sheets as shown, taking care to maintain the correct distance to the rough opening.
 Finish the rough opening to match the size of the skylight frame.
 Install installation battens as shown and headers and jack rafter as necessary.
 Check for level.
Important: Install the EDW head flashing section before installing the skylight.

