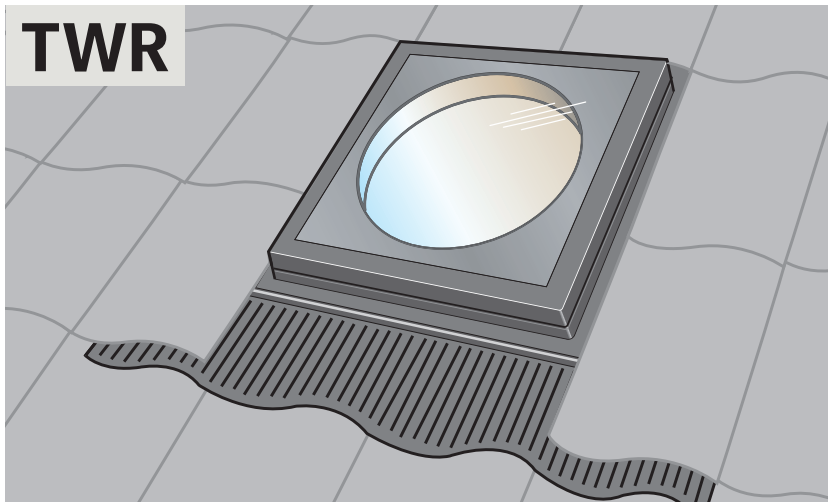
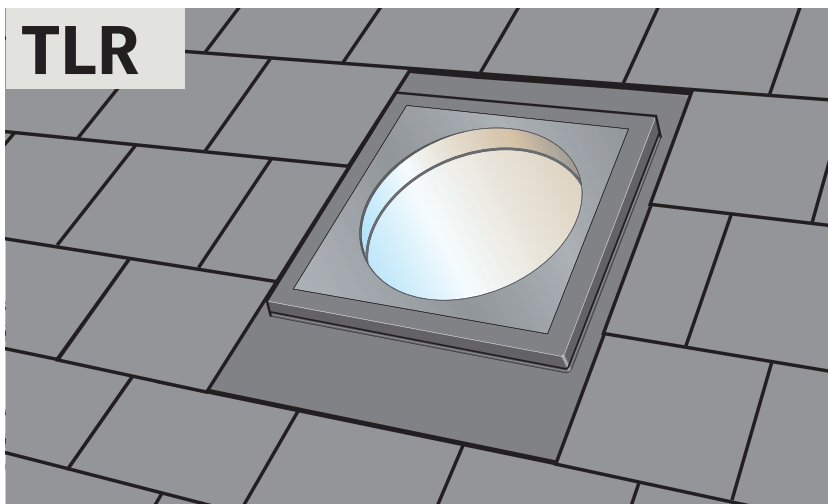


TWR



Pages
2-14
+
24-34

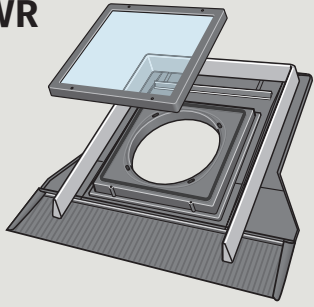
TLR



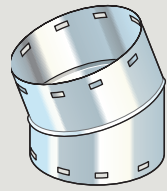
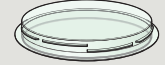
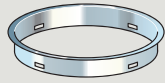
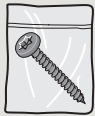
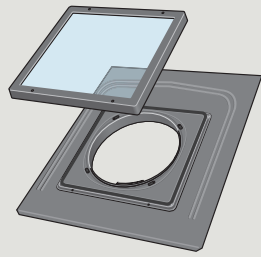
Pages
2-3
+
16-34



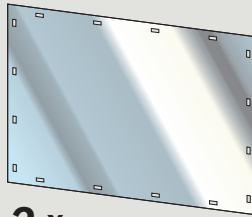
TWR



TLR

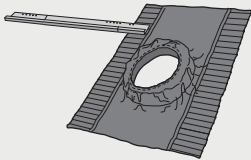


2 x

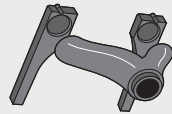


2 x

BFX



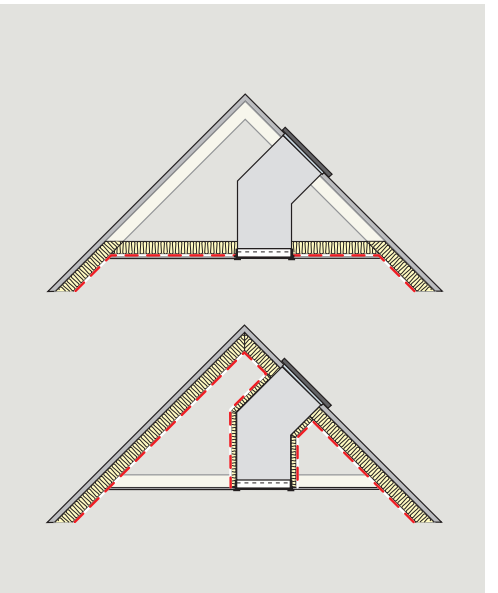
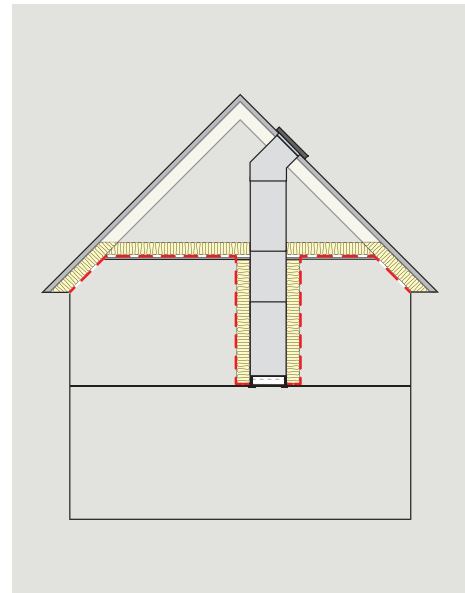
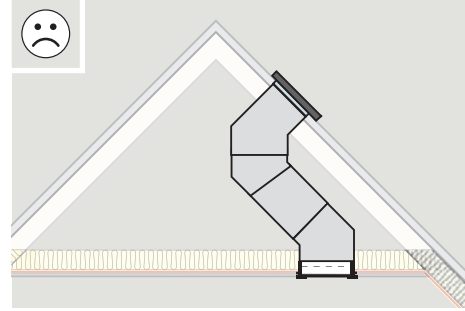
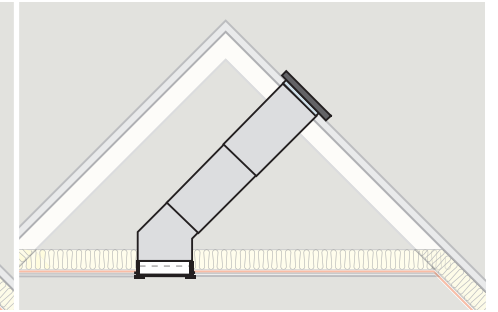
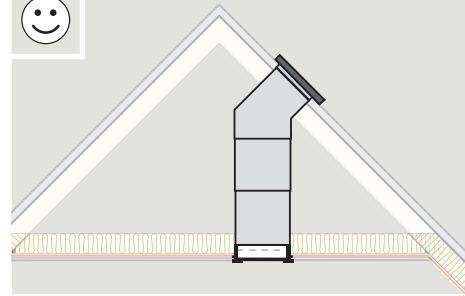
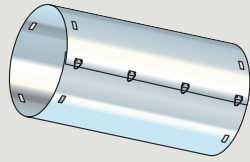
ZTV

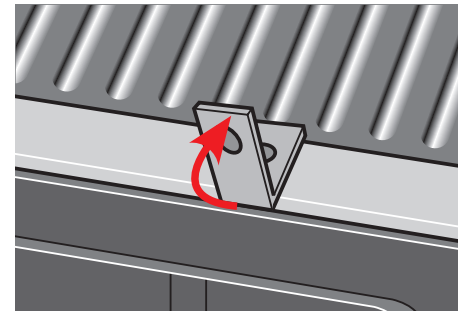
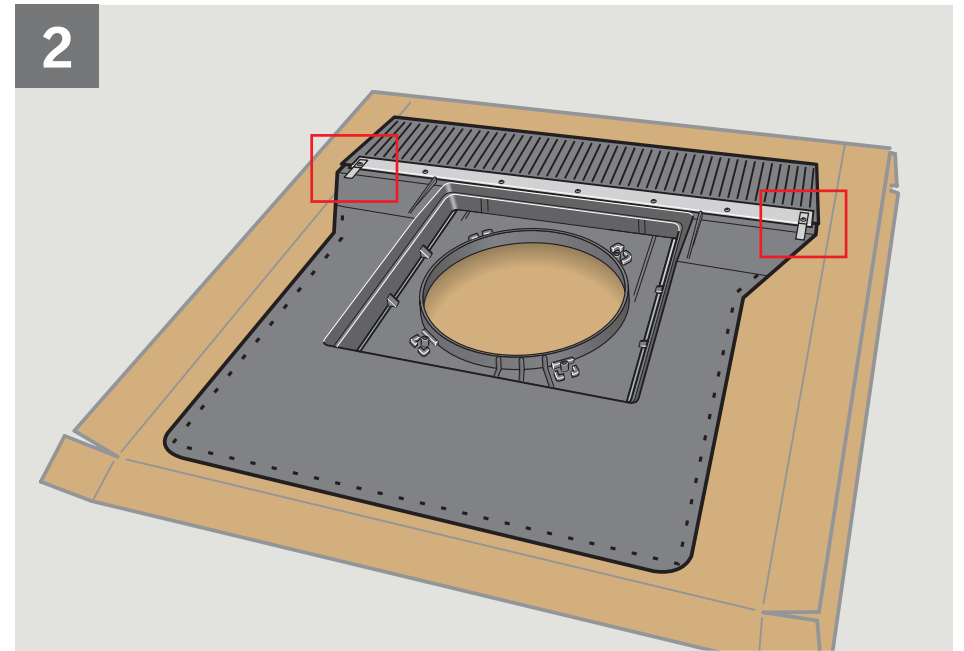
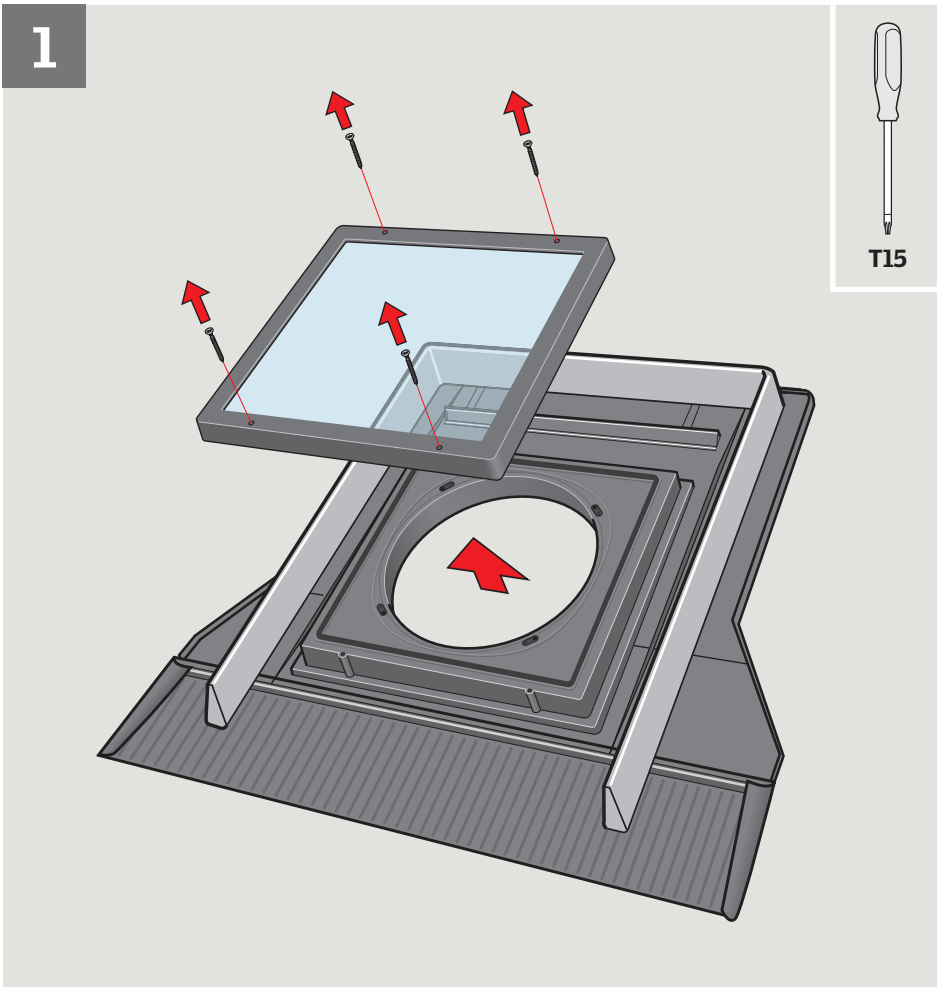


ZTL

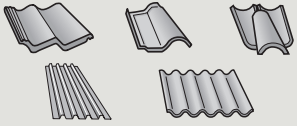


ZTR

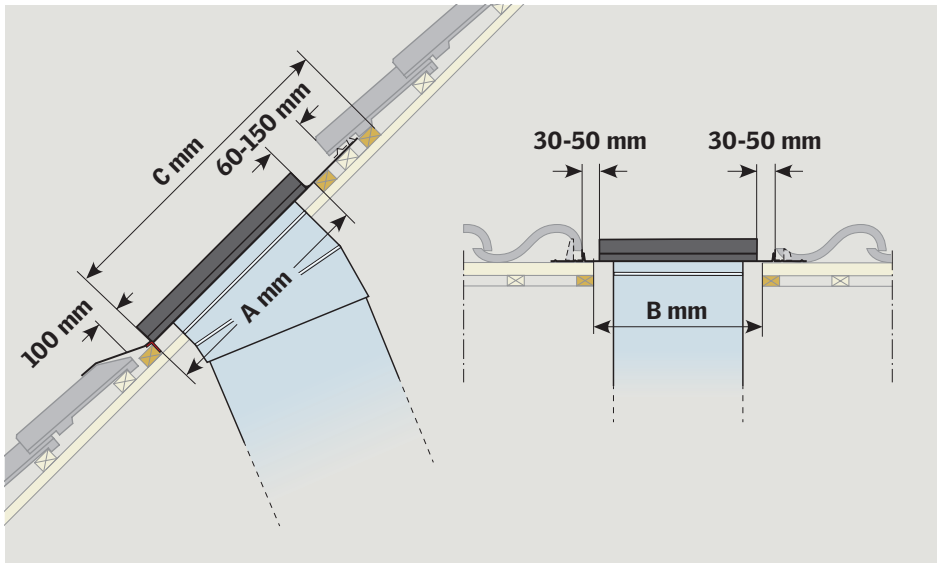
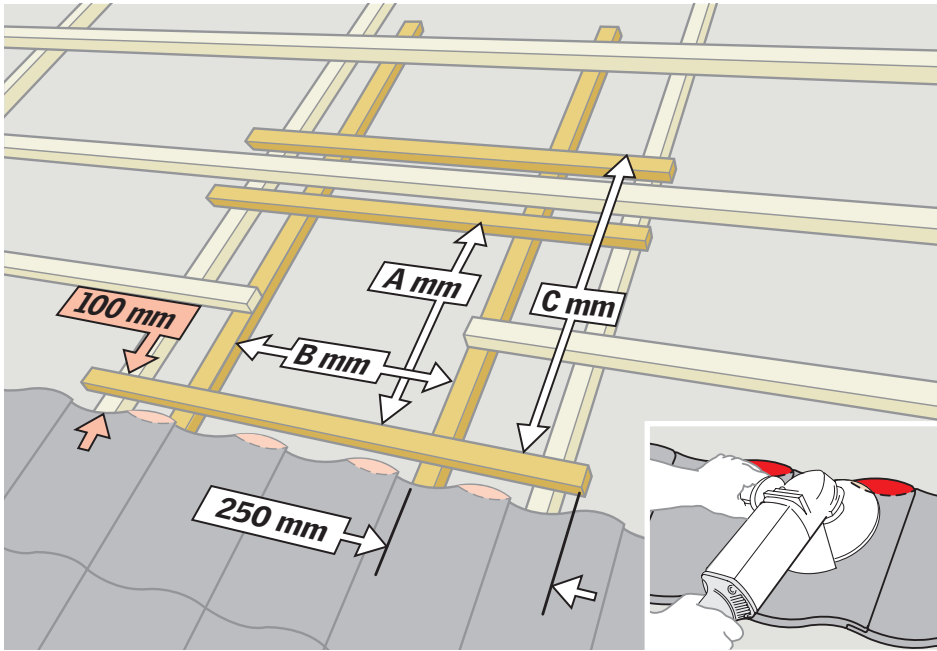




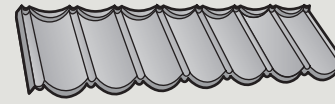
3a



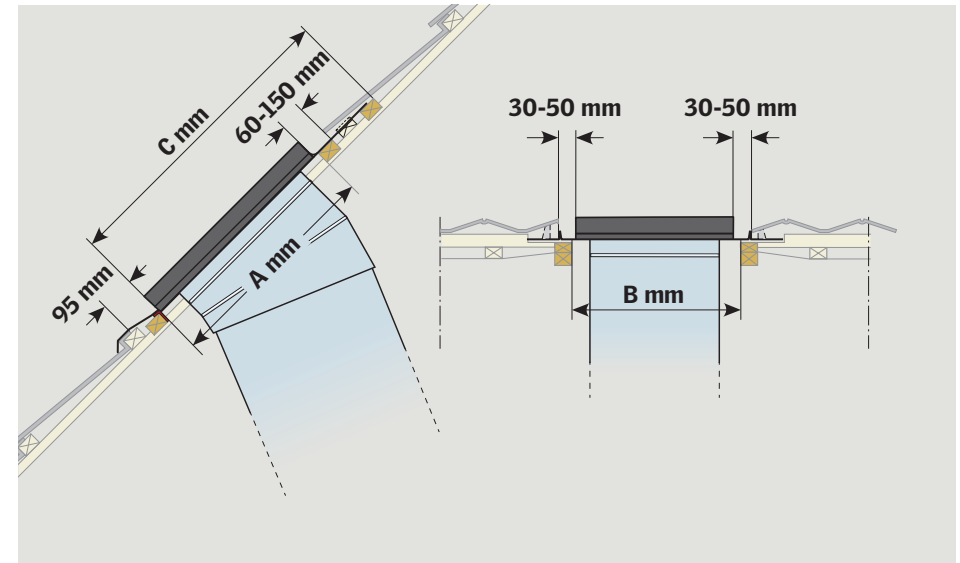
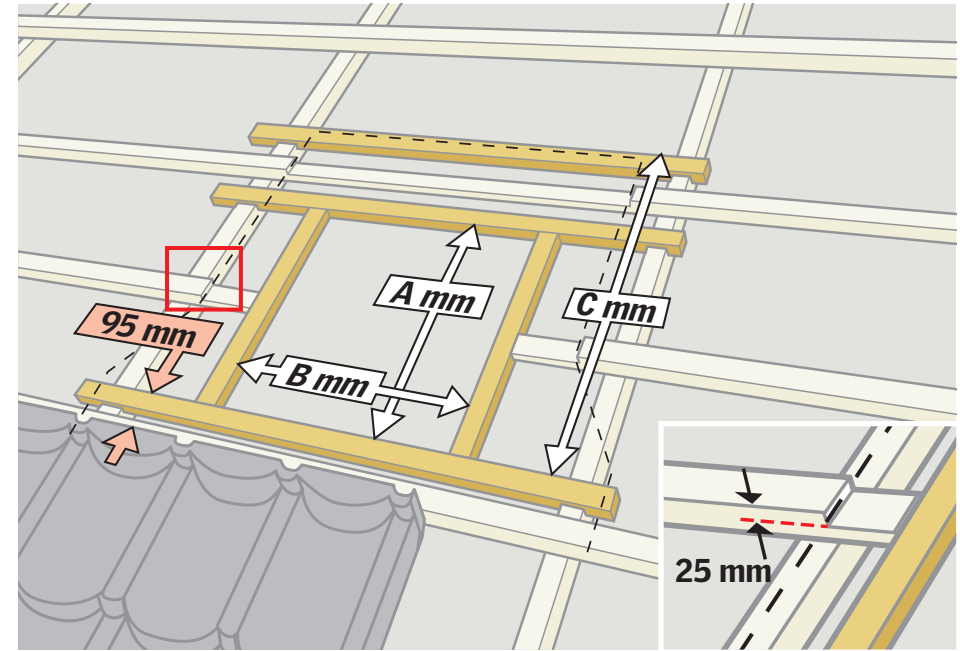
	A mm	B mm	C mm
TWR 010	360-420	400	600
TWR 014	460-520	500	700



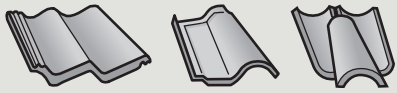
3b



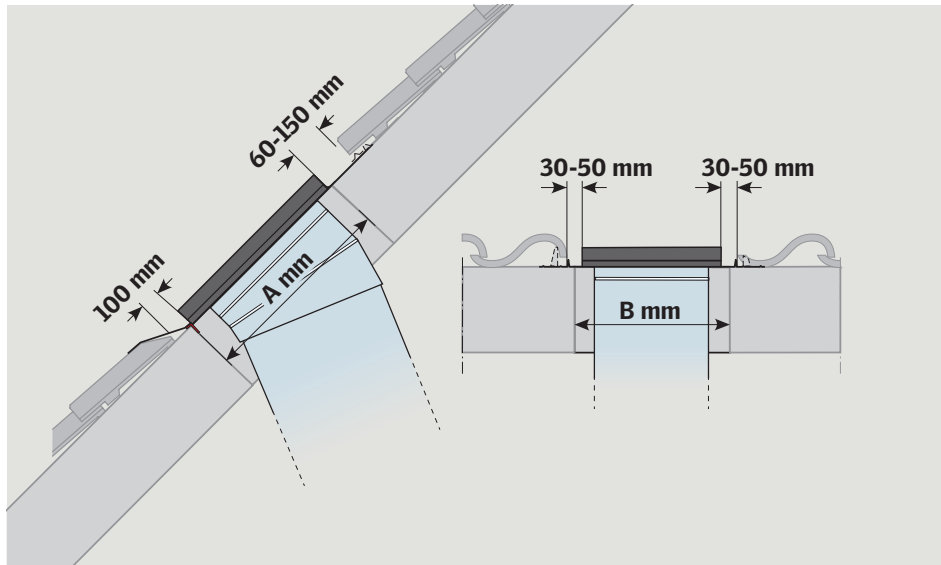
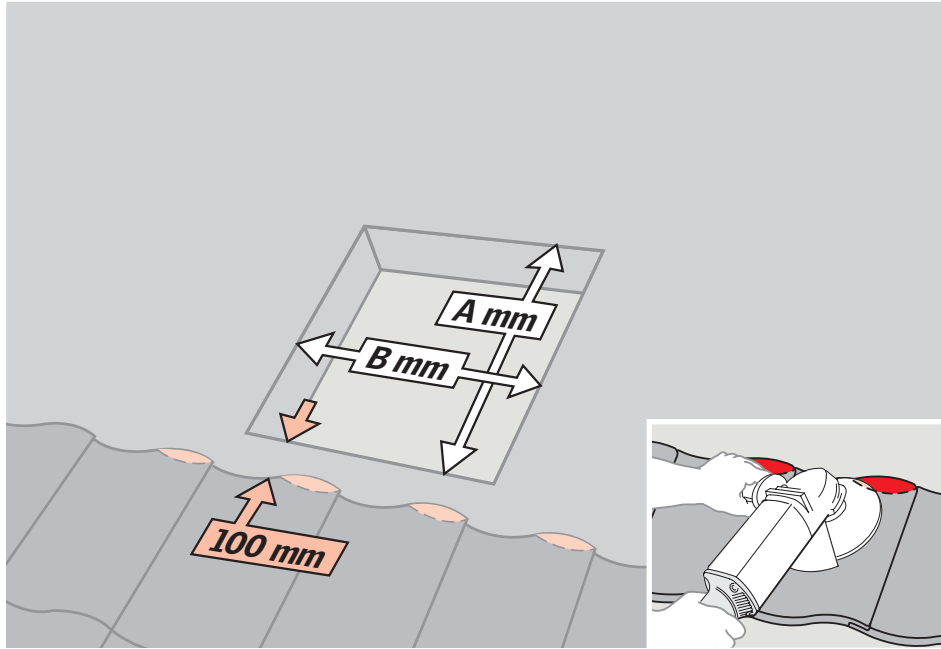
	A mm	B mm	C mm
TWR 010	360-420	400	600
TWR 014	460-520	500	700



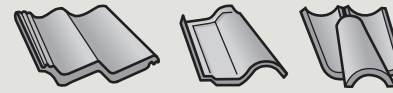
3c



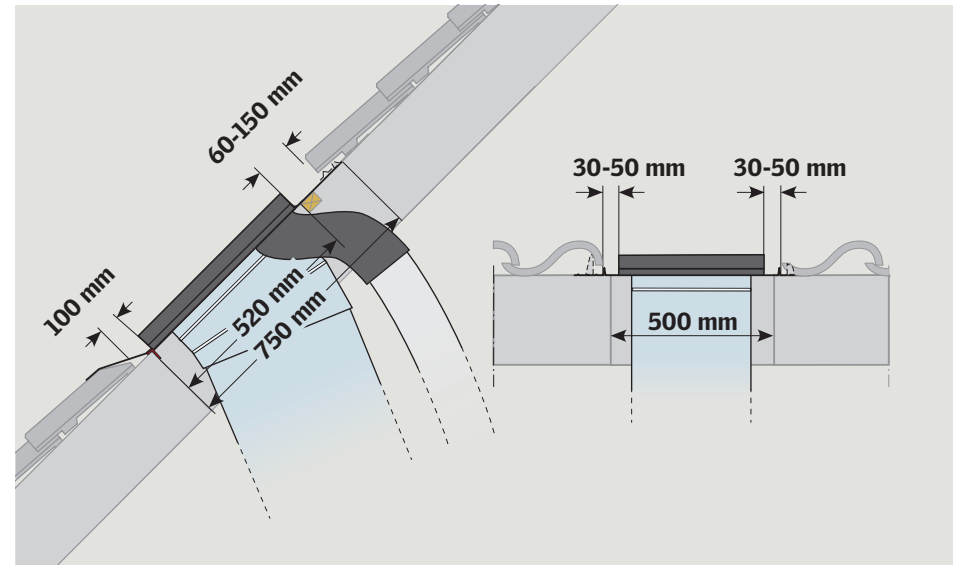
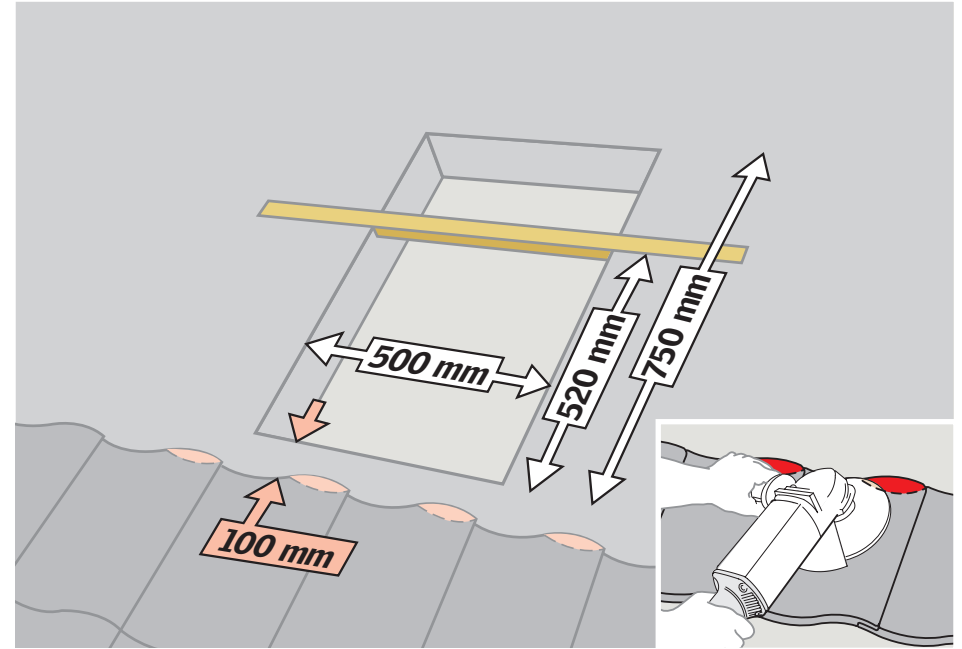
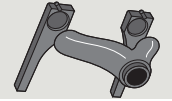
	A mm	B mm
TWR 010	420	380
TWR 014	520	480

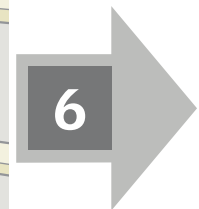
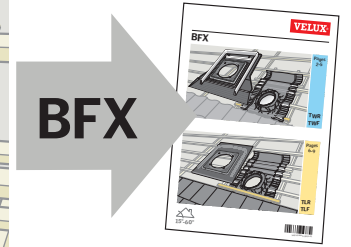
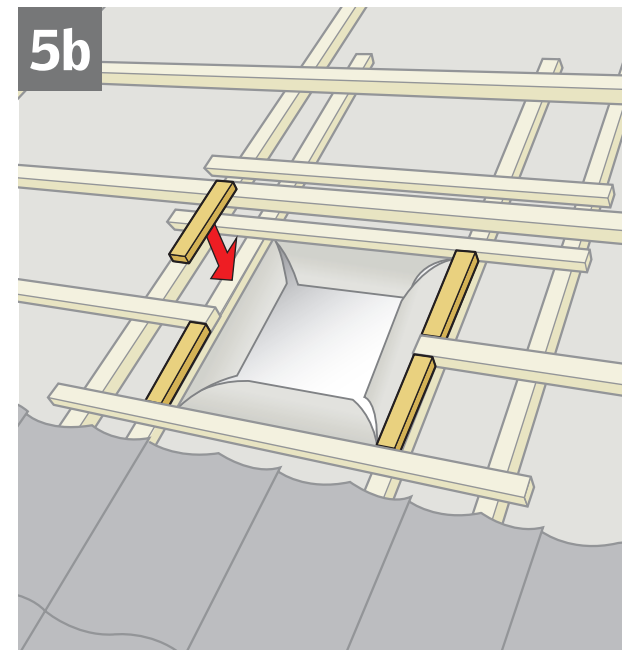
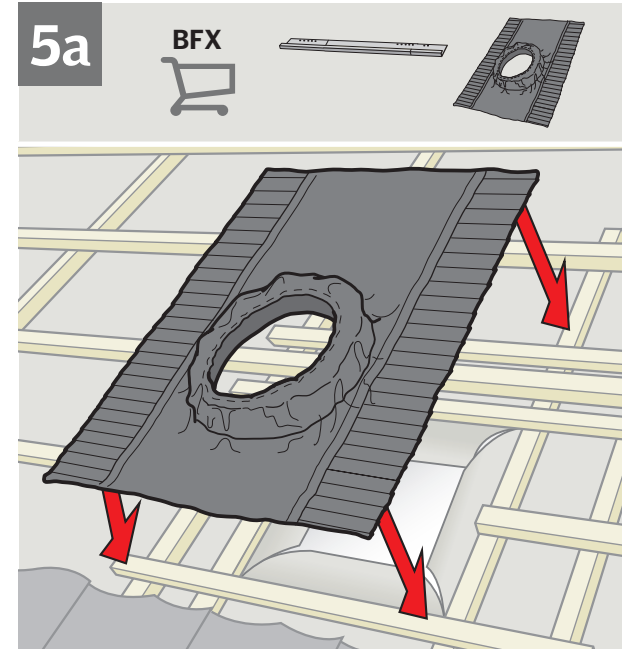
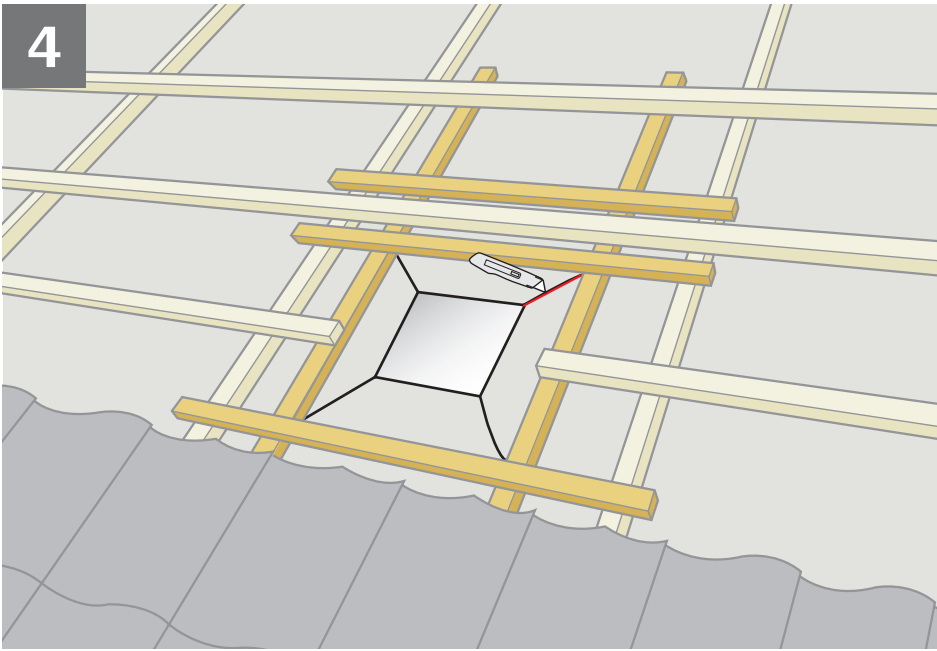


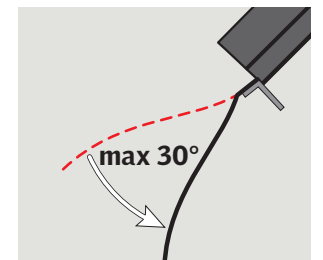
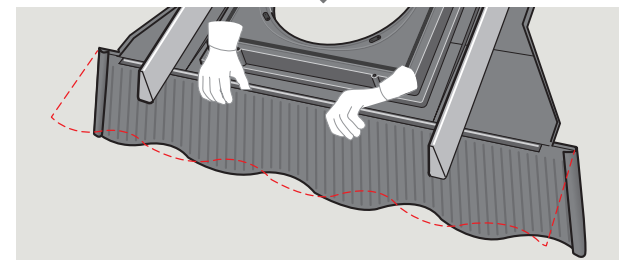
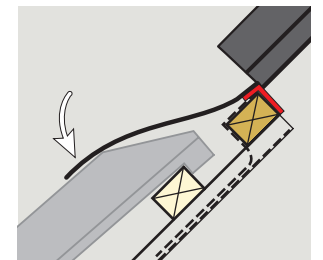
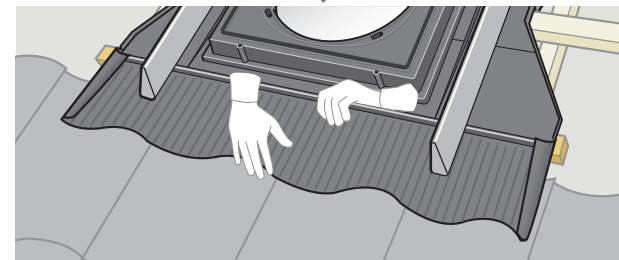
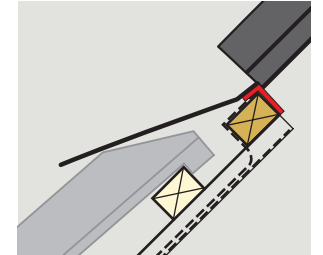
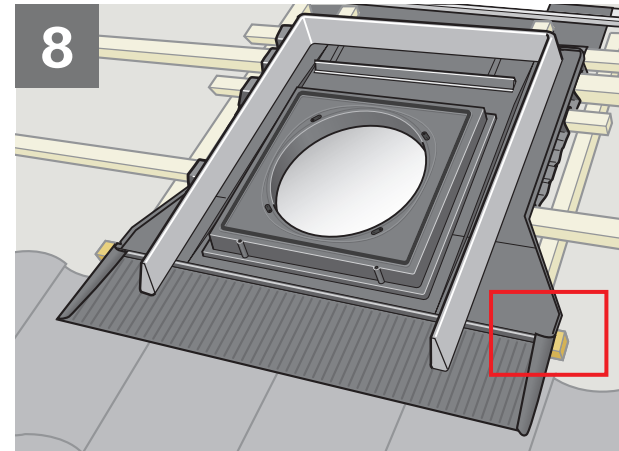
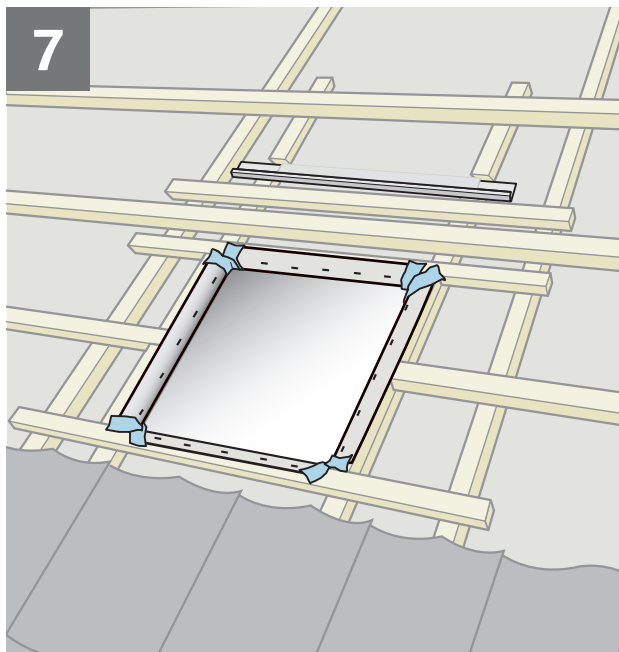
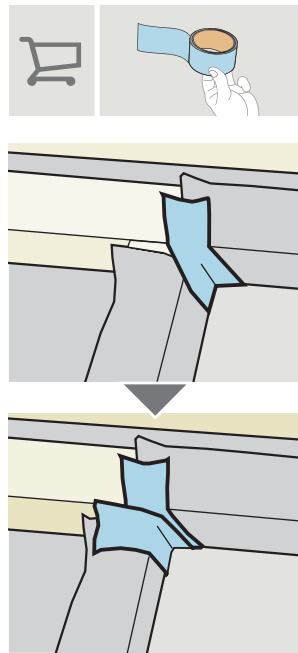
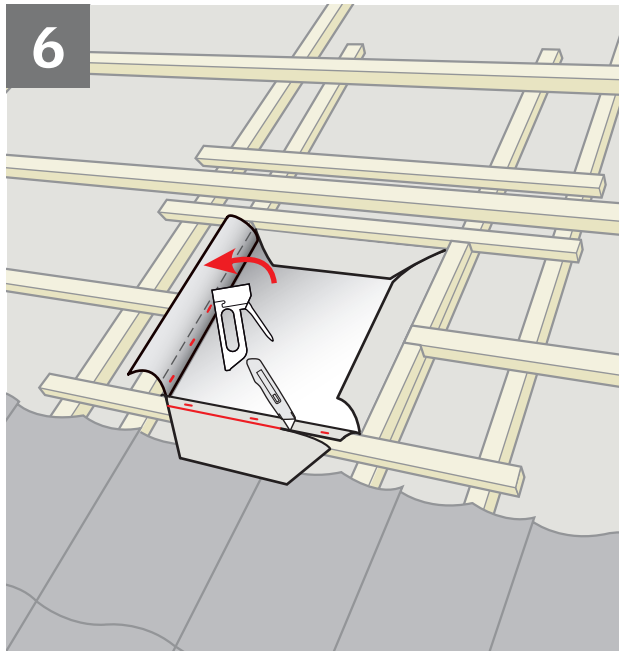
3d

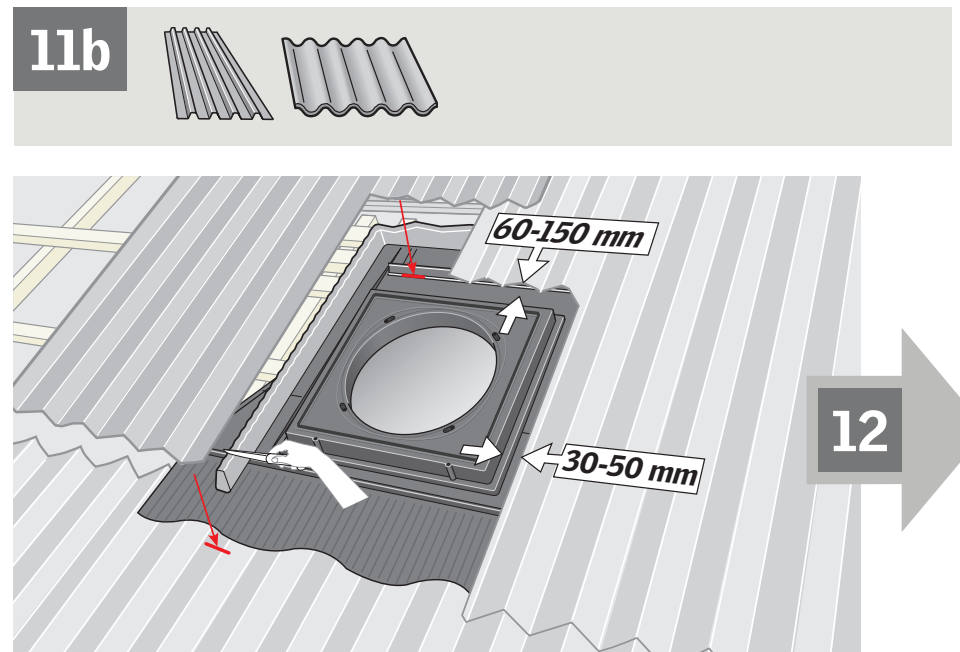
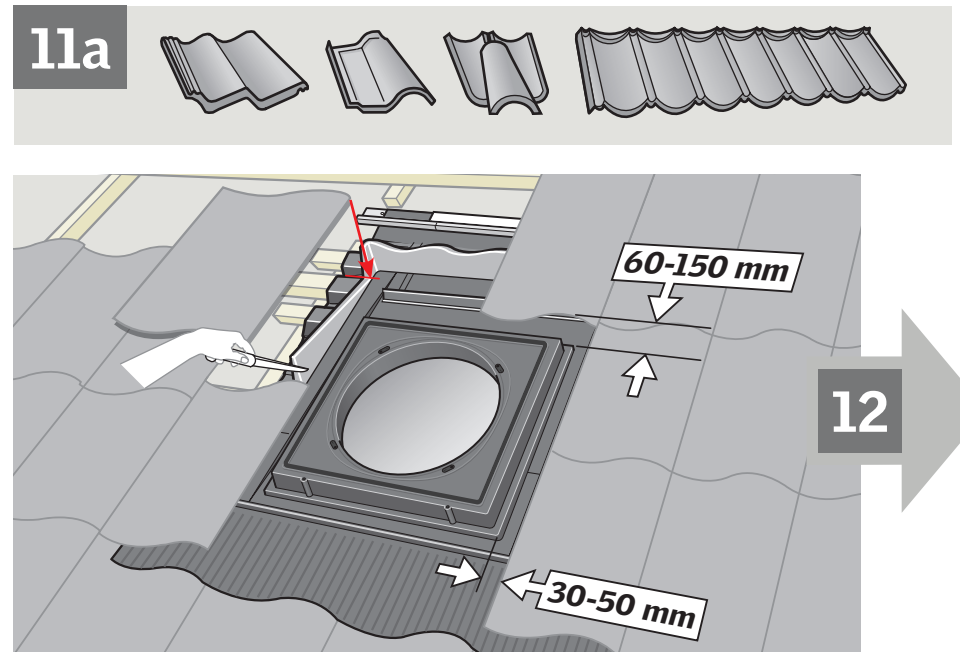
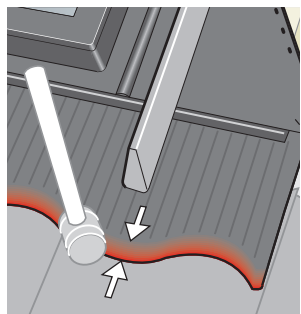
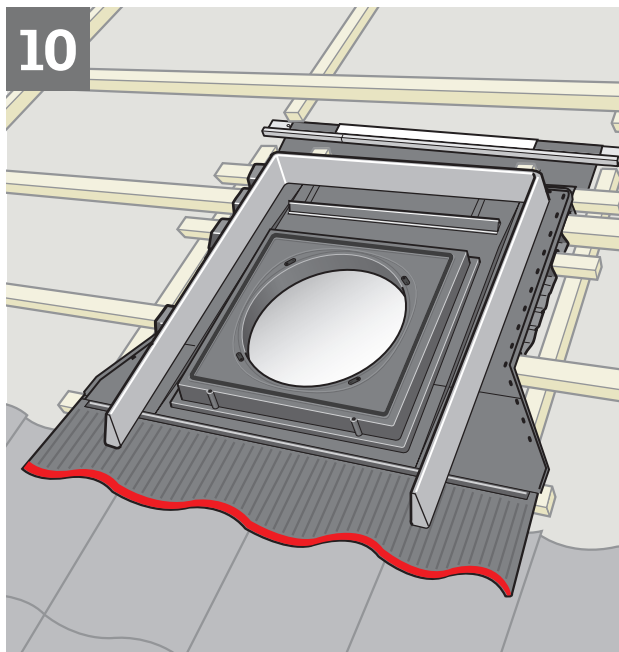
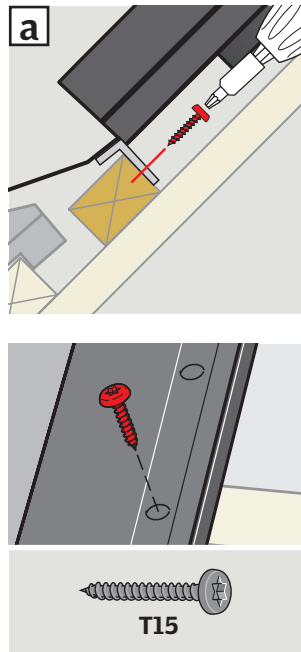
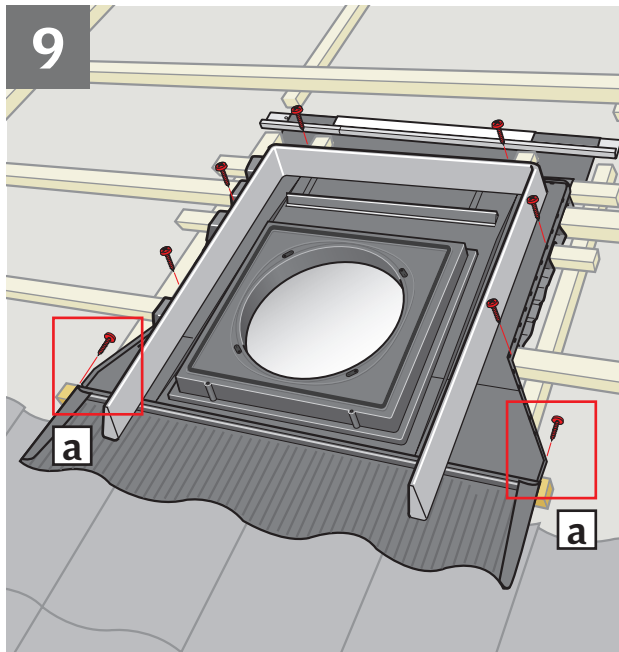


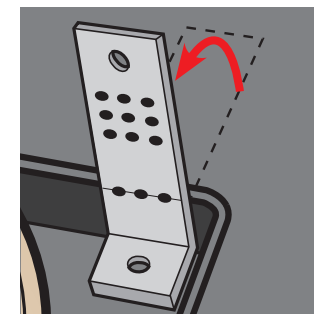
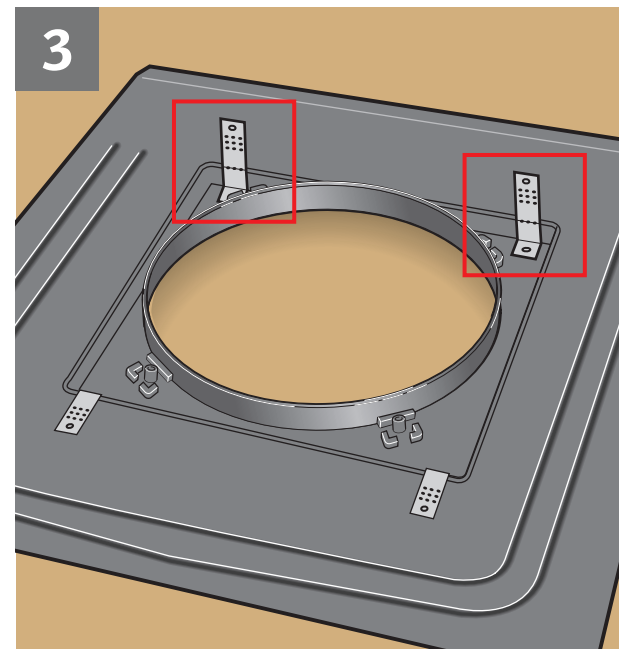
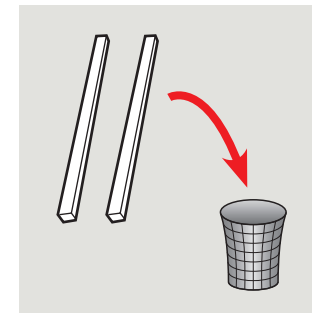
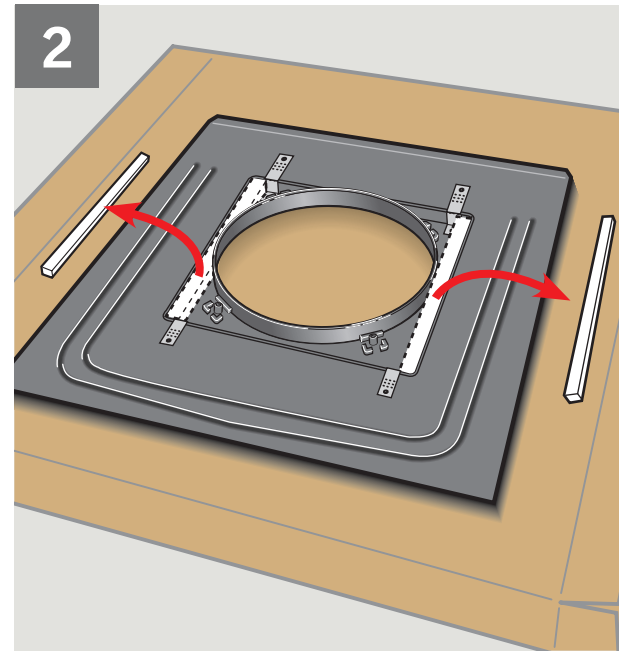
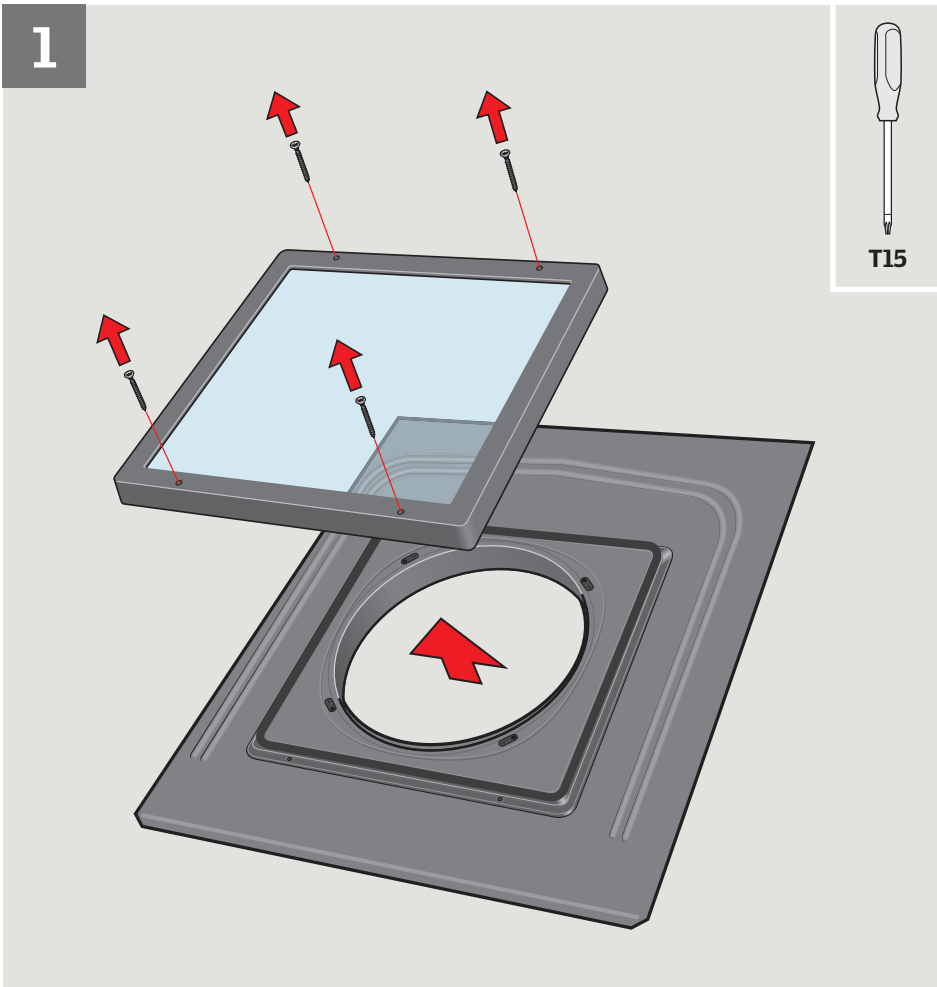
TWR 014 + ZTV








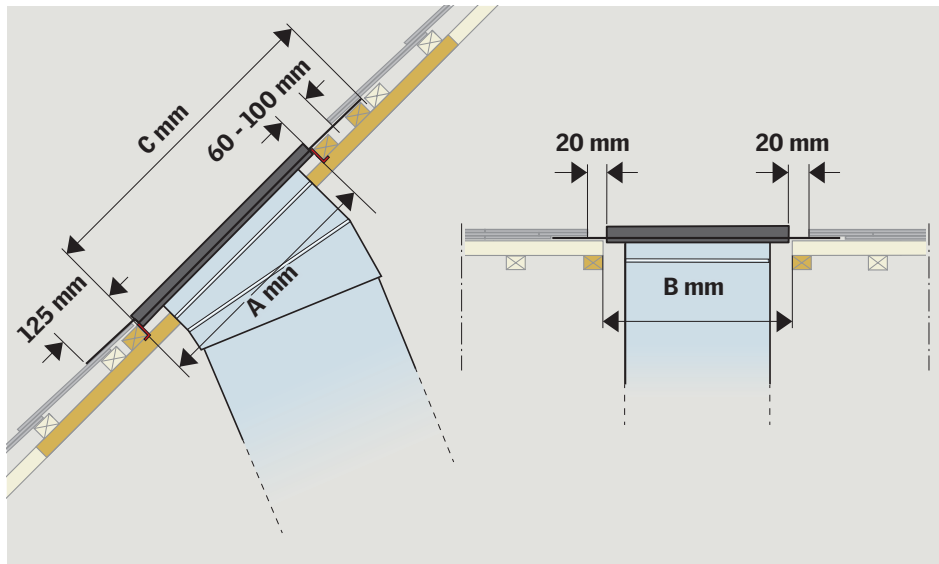
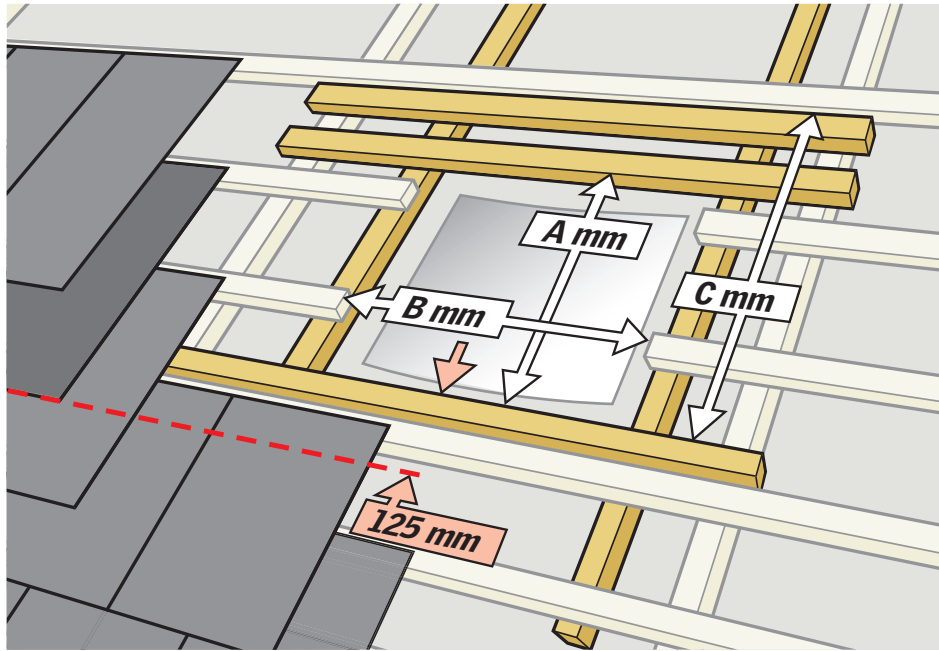




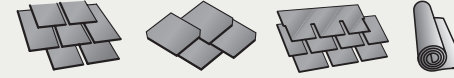
4a




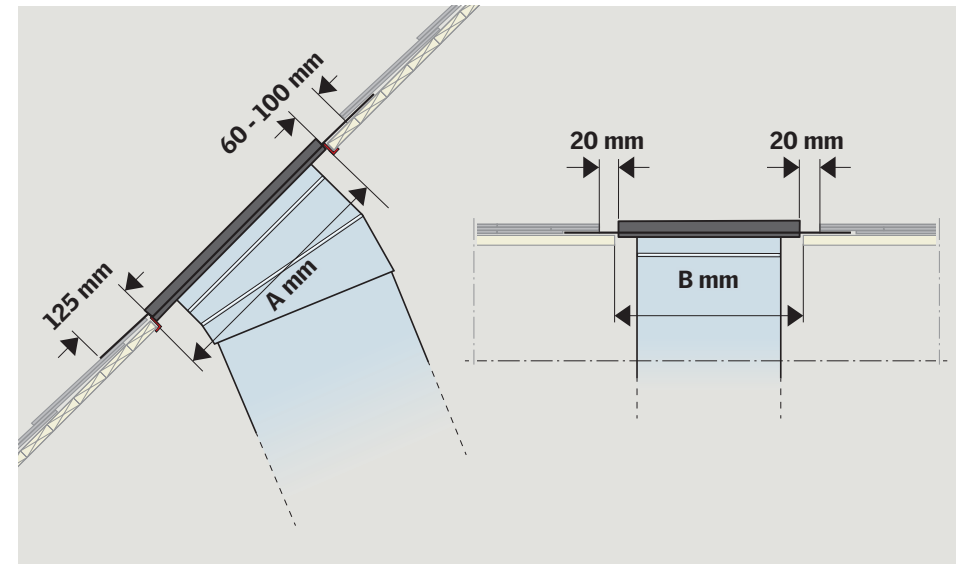
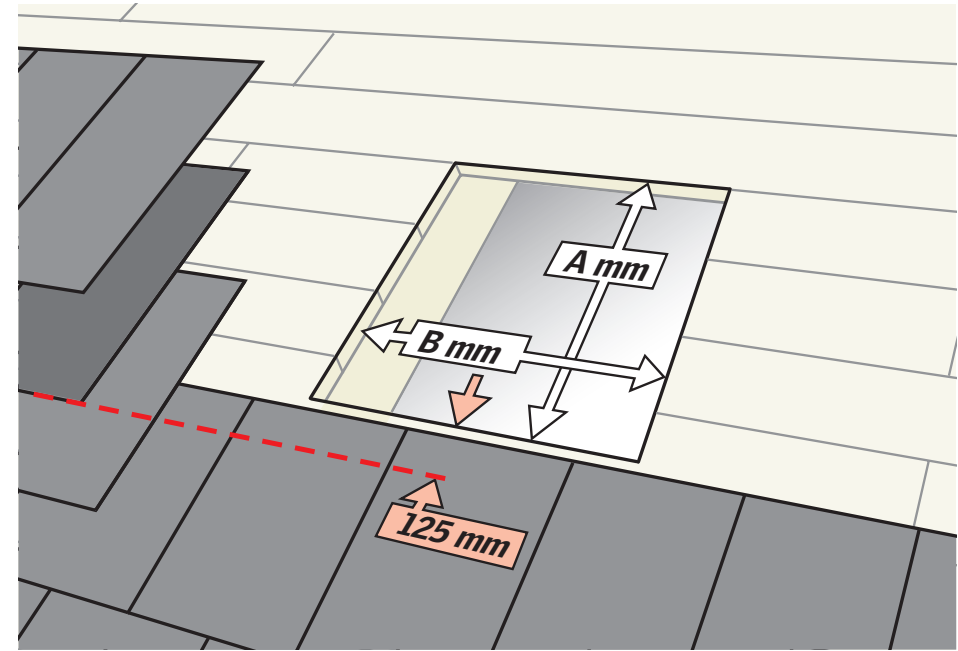
	A mm	B mm	C mm
TLR 010	350	340-380	550
TLR 014	450	440-480	650

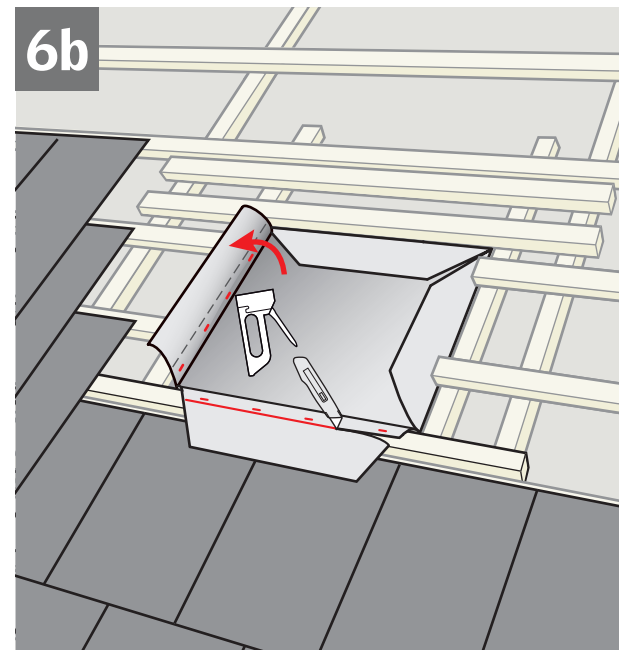
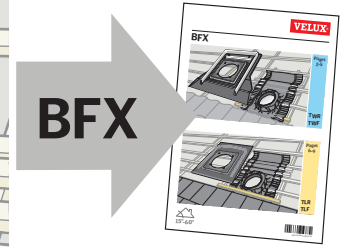
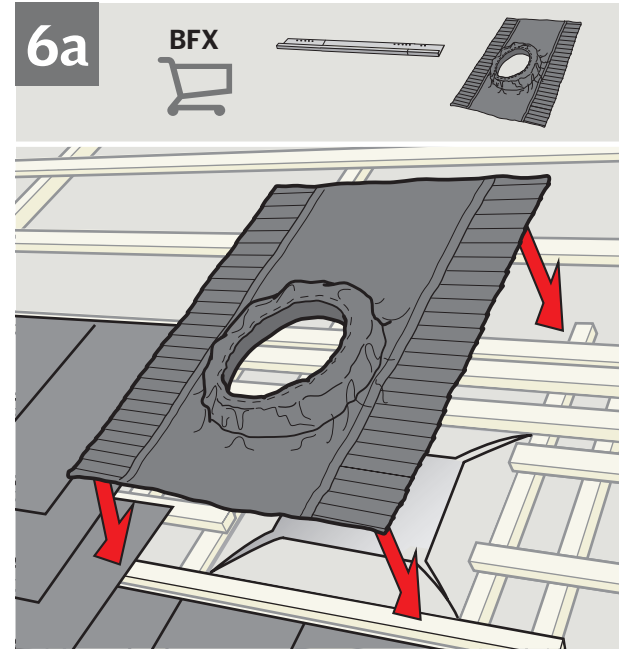
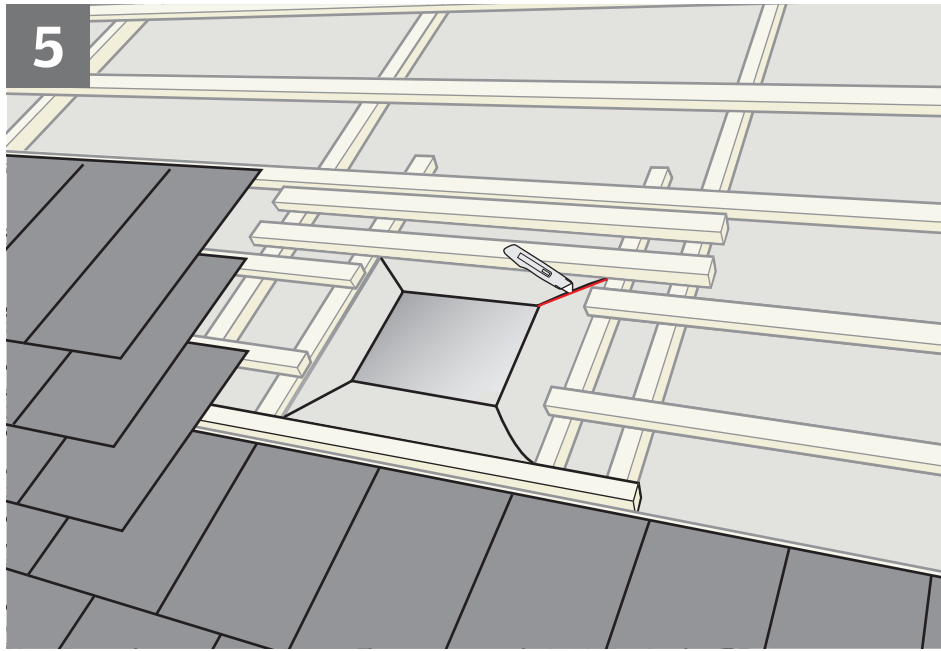


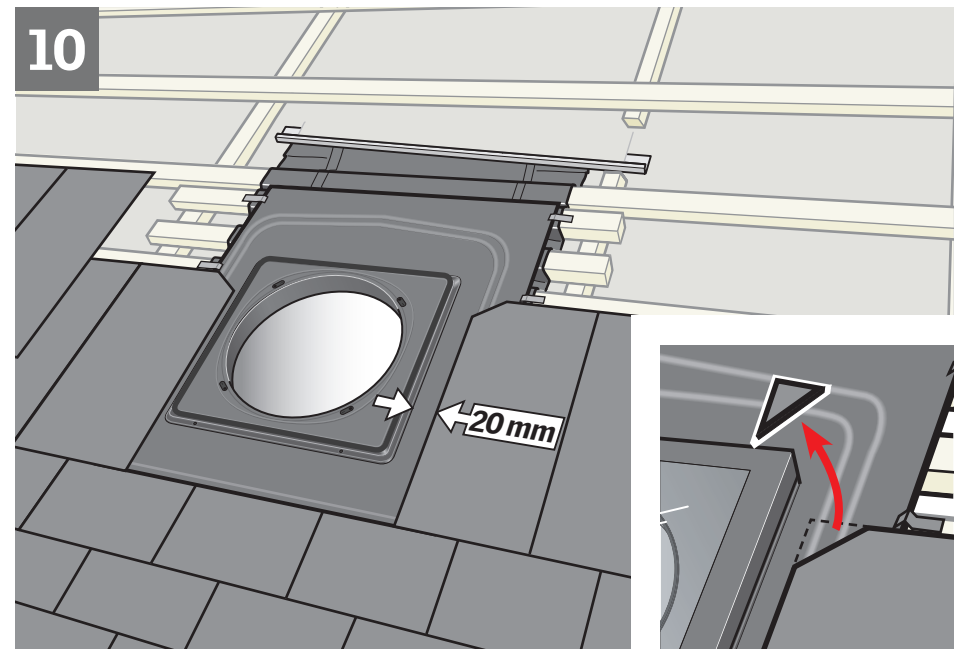
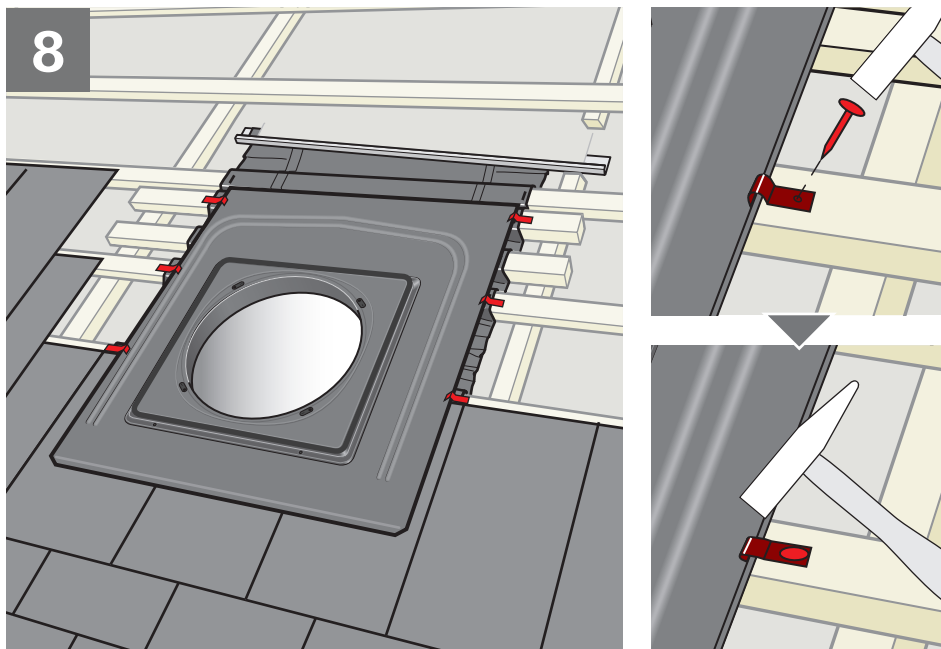
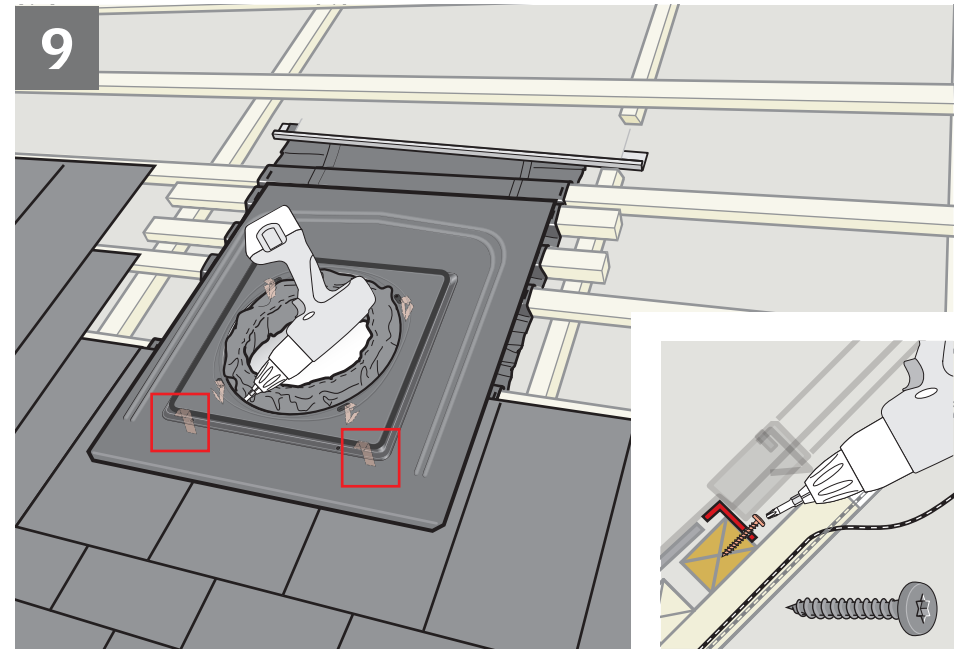
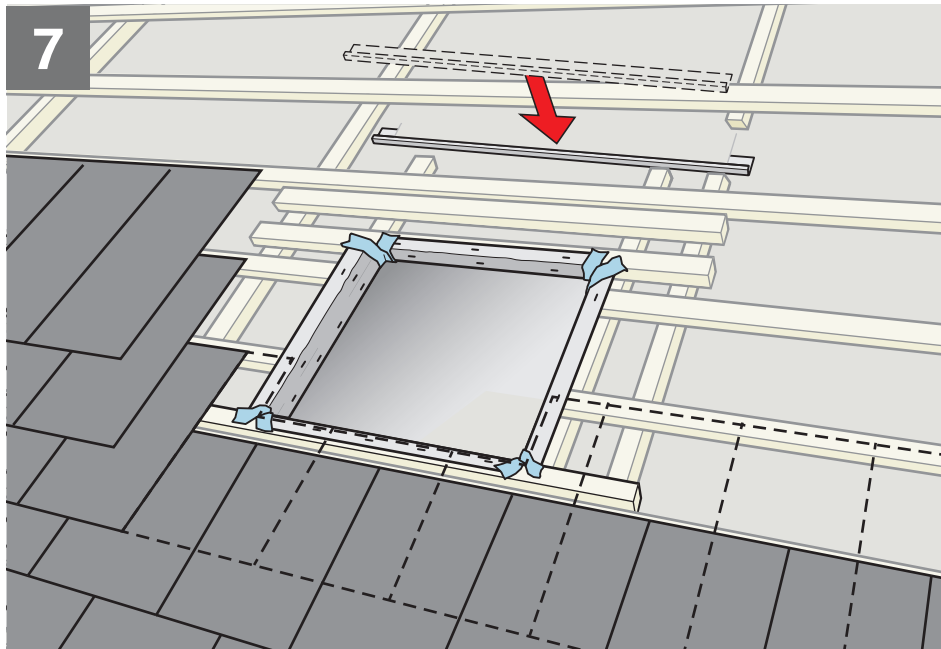
4b



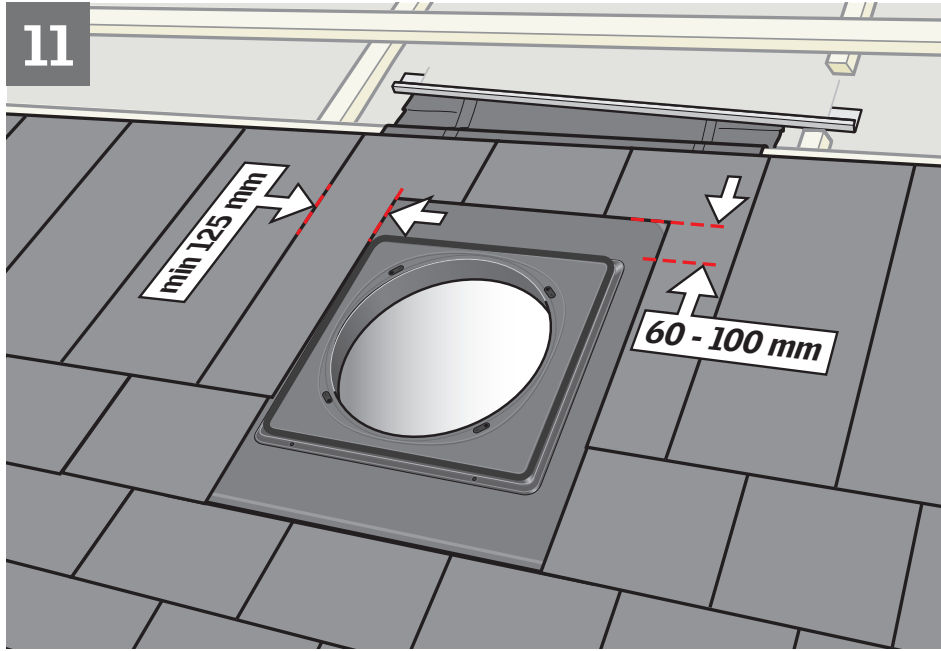
	A mm	B mm
TLR 010	350	340-380
TLR 014	450	440-480



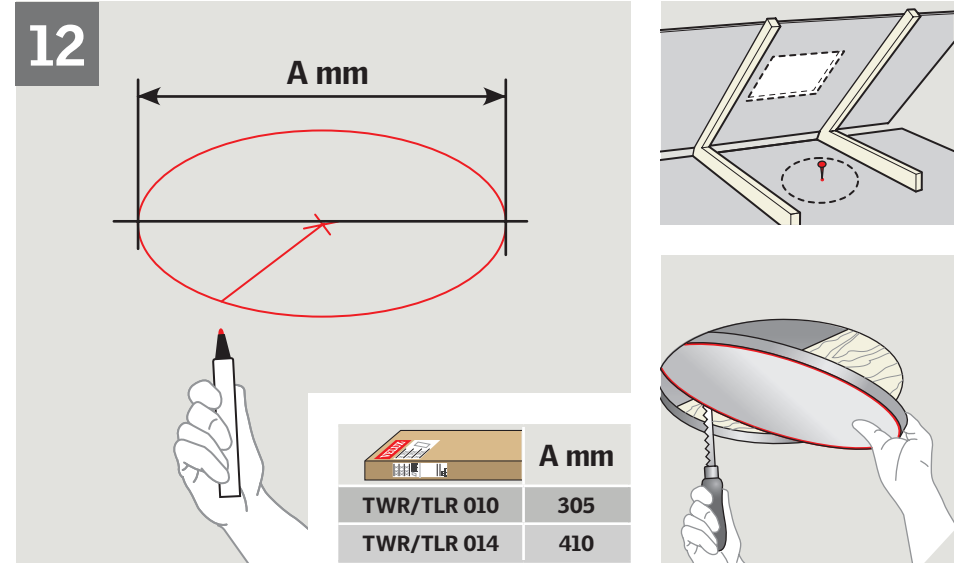




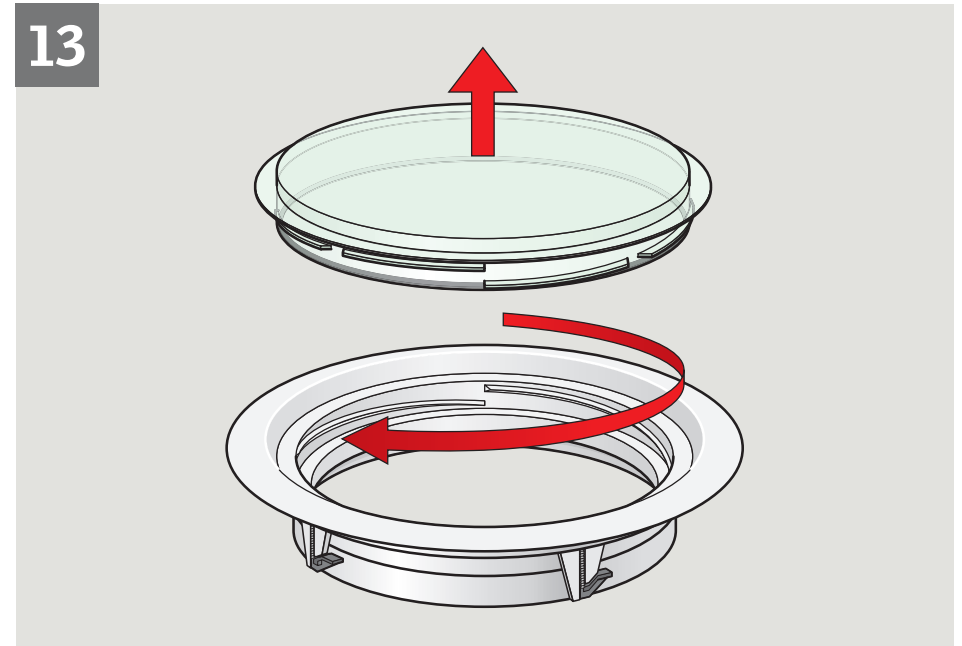
11

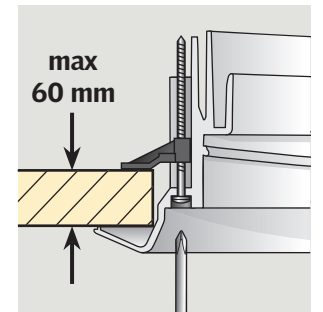
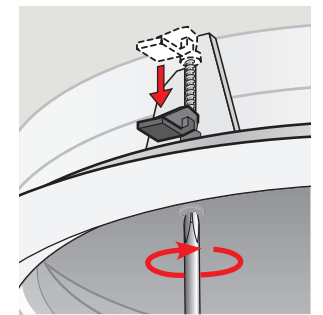
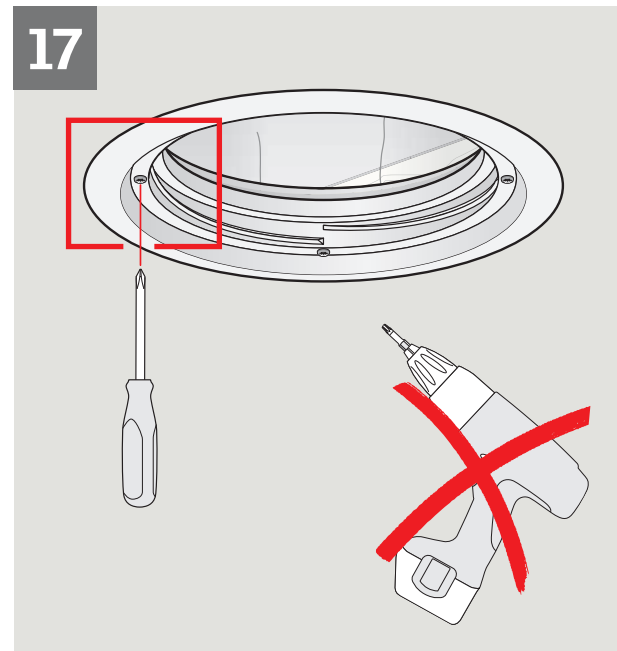
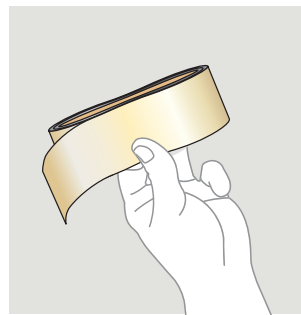
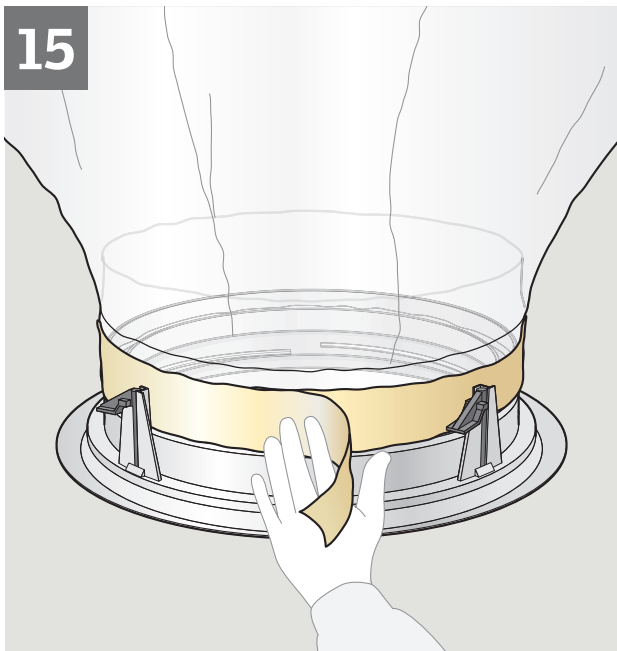
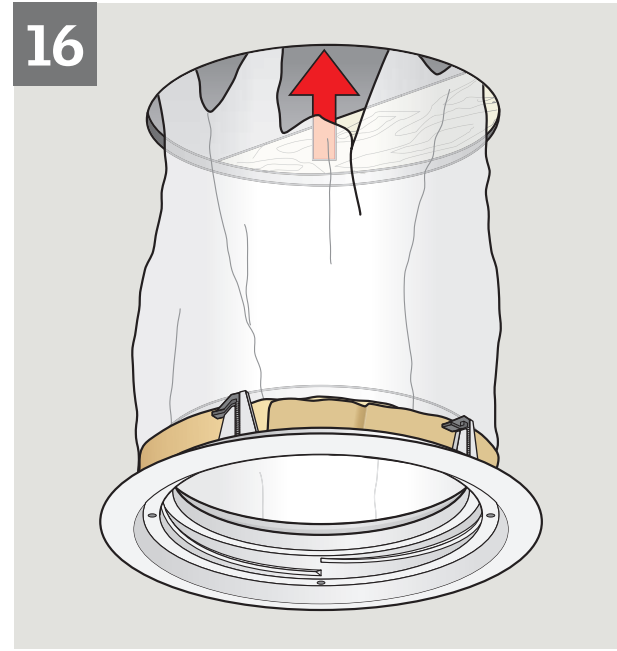
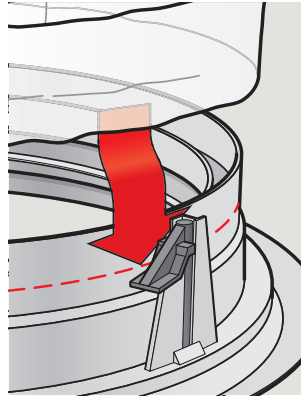
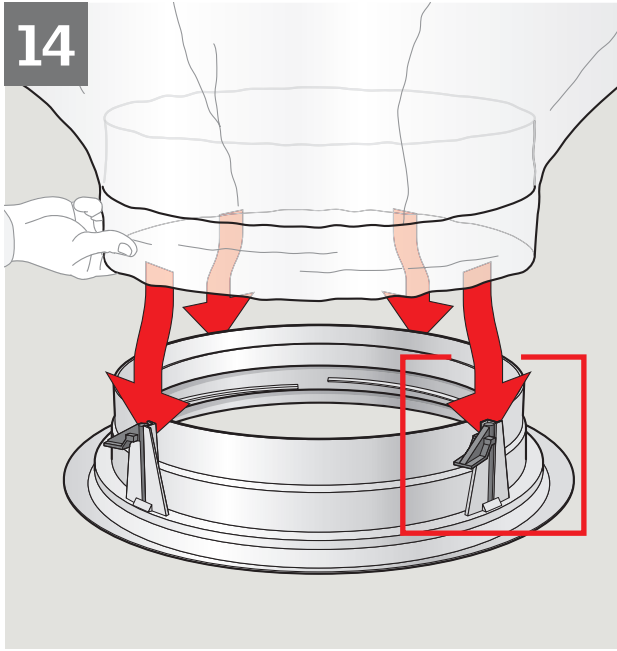


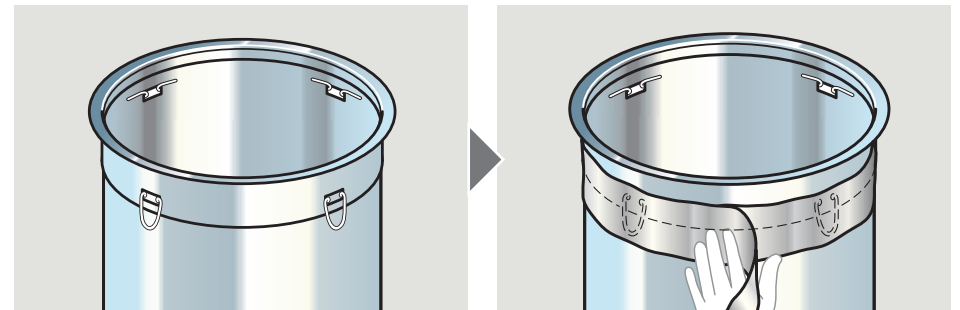
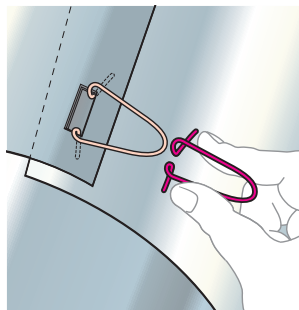
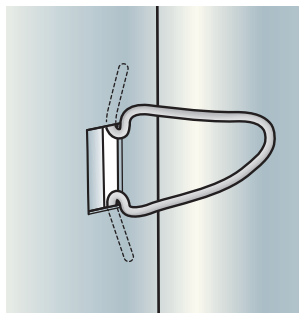
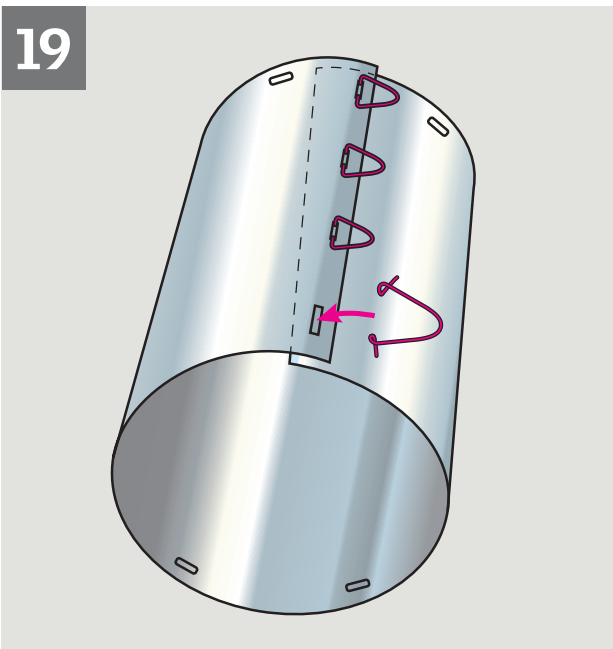
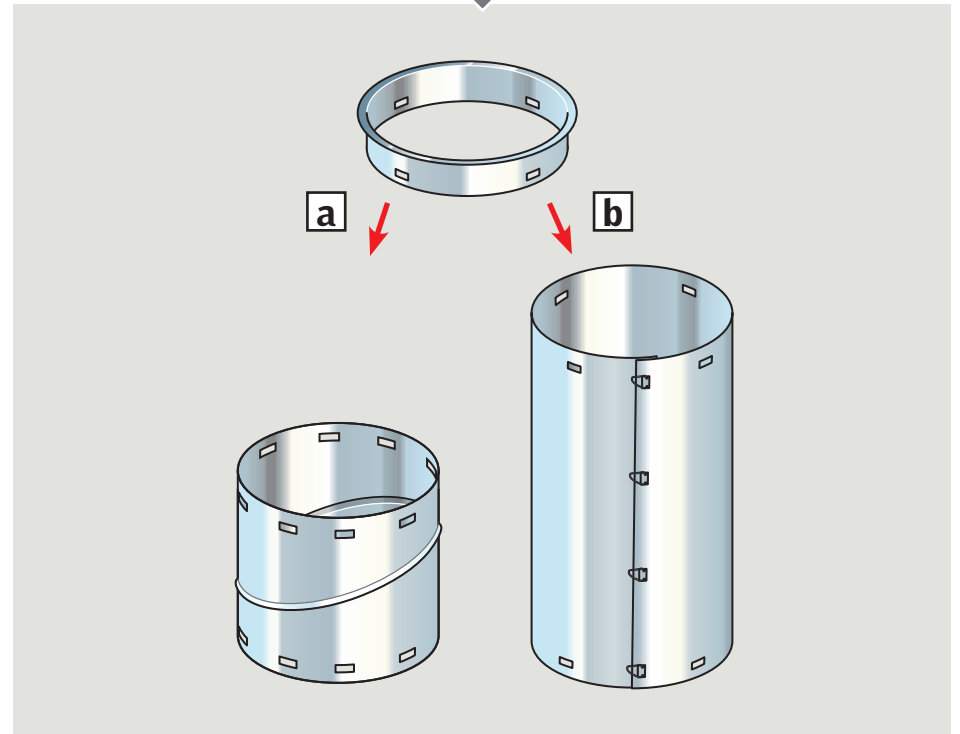
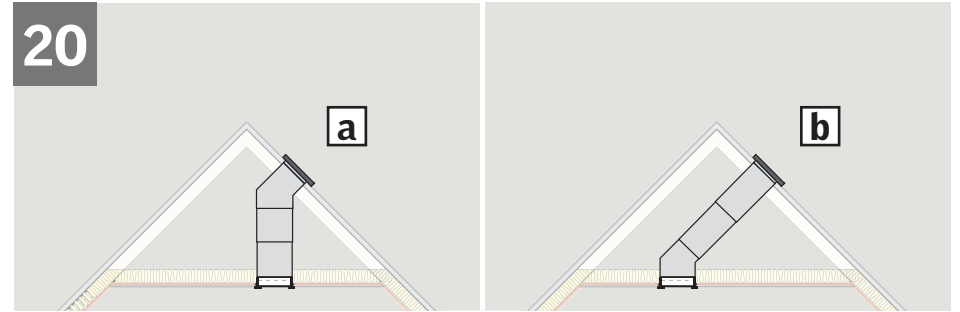
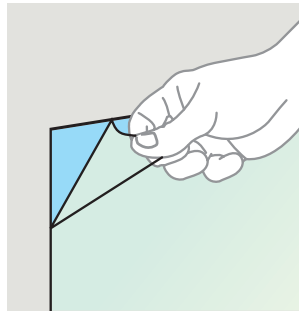
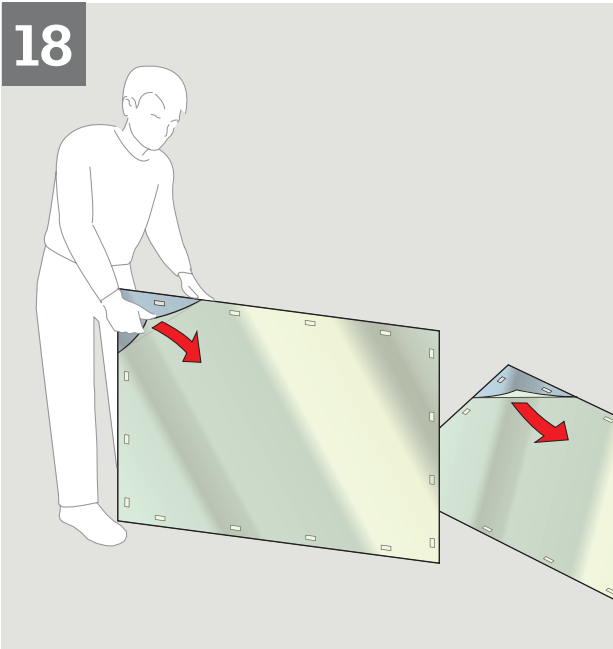
12

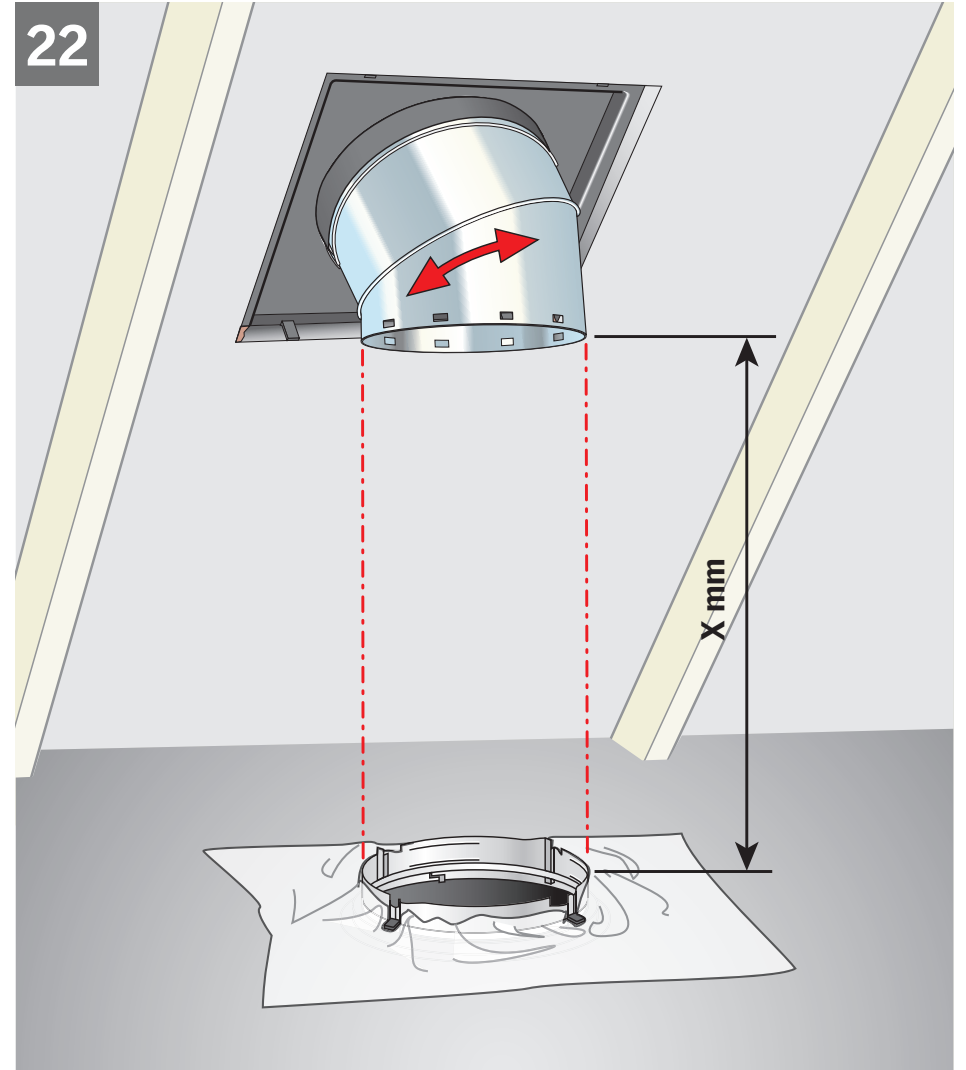
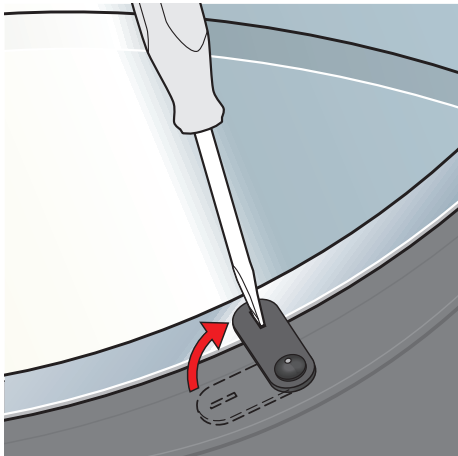
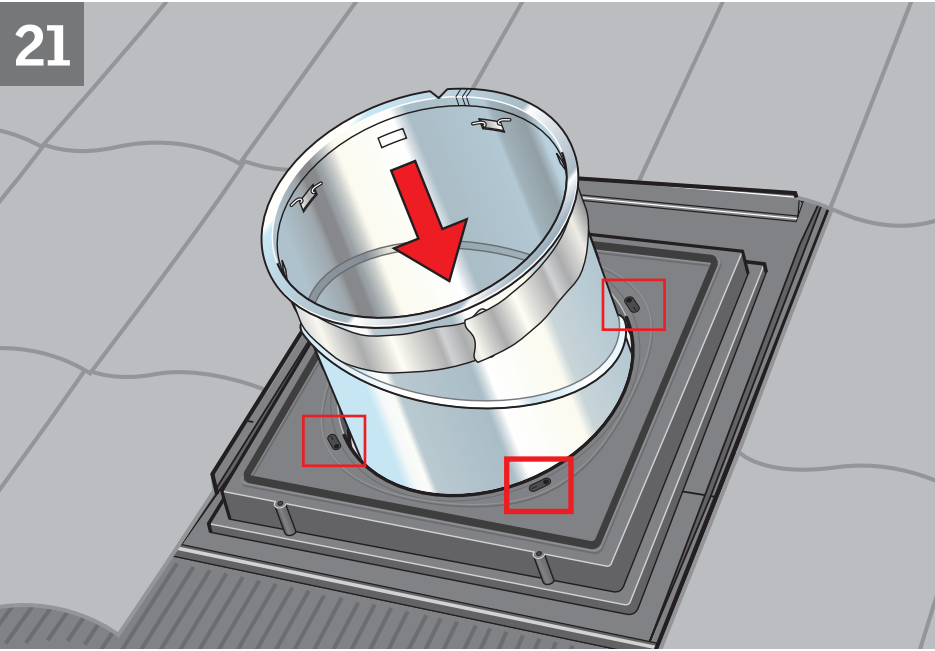


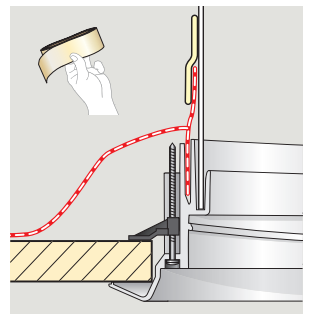
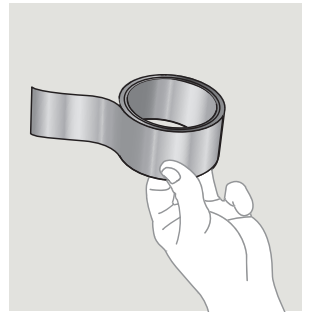
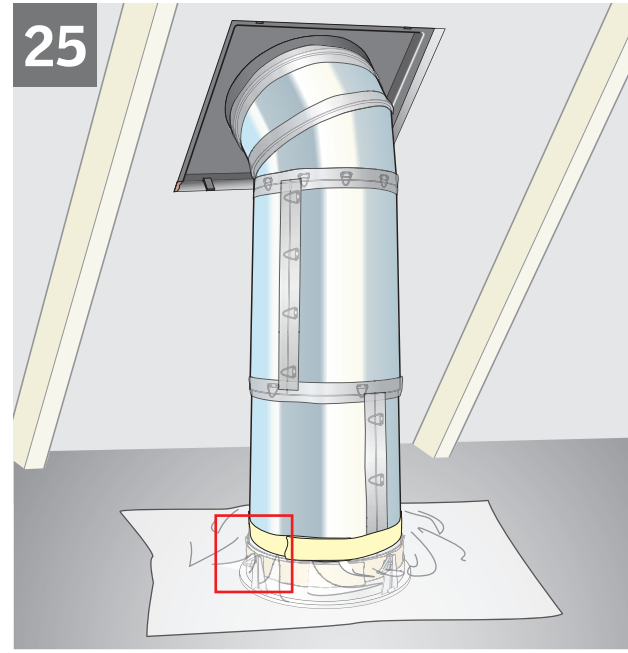
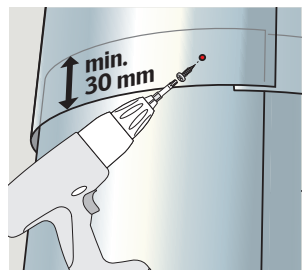
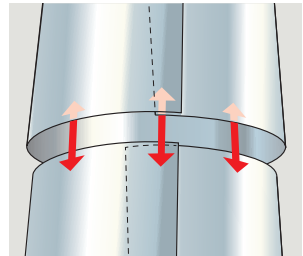
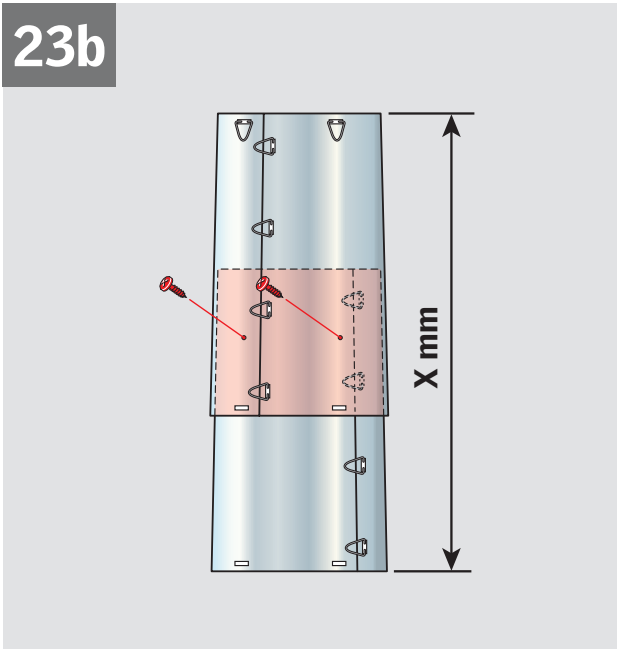
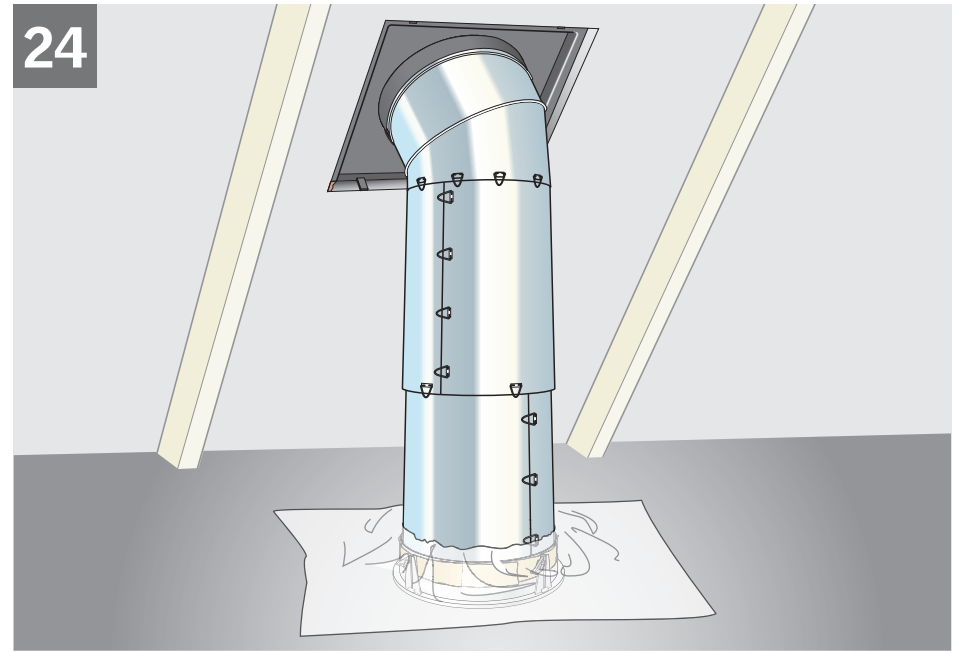
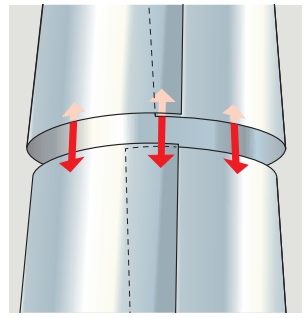
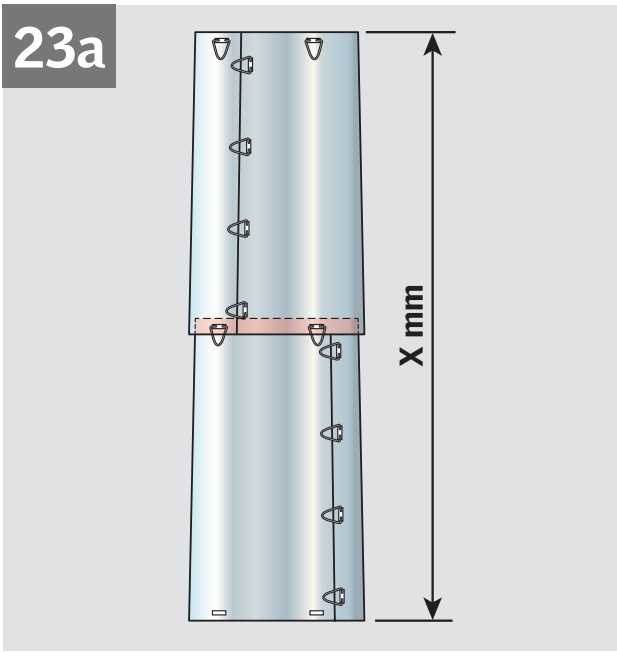
13




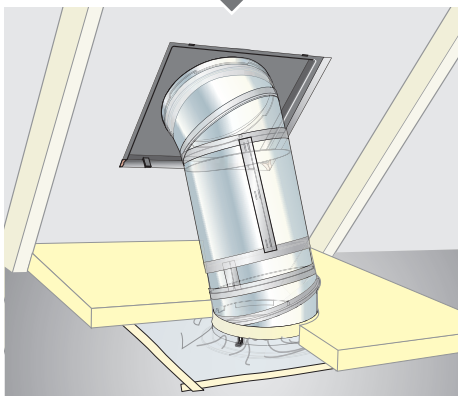
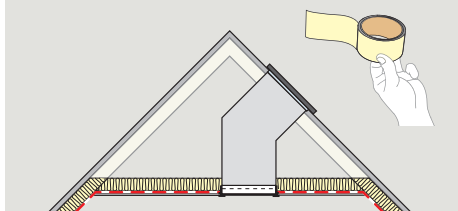





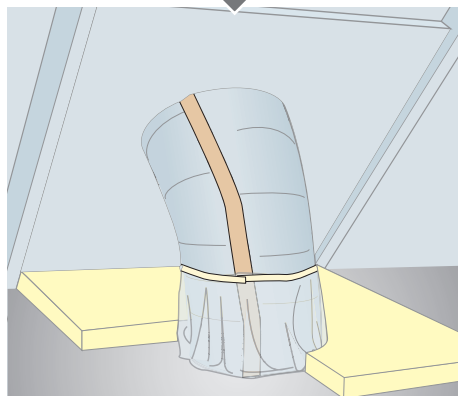
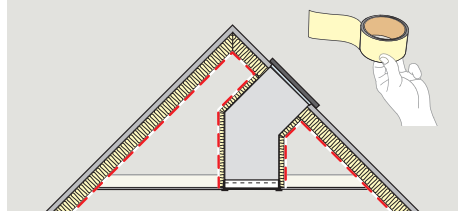




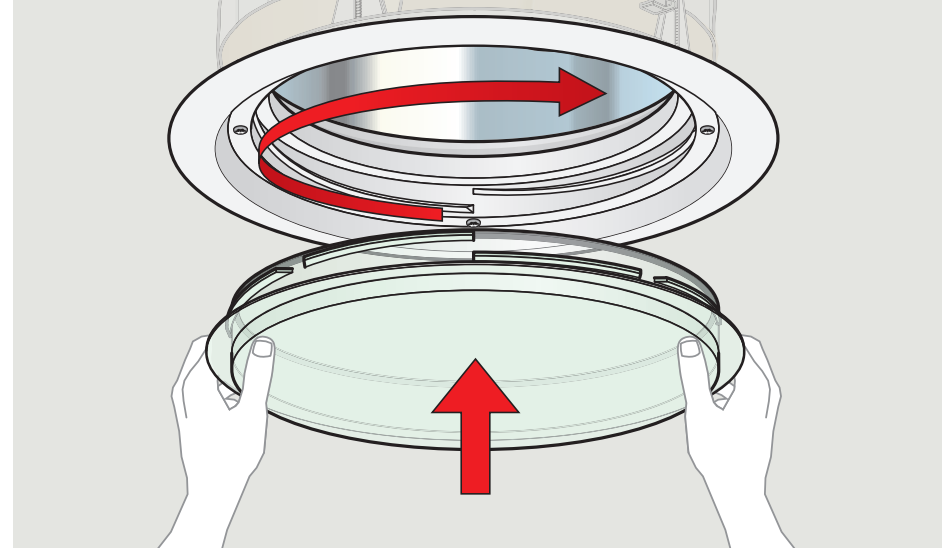
26a 



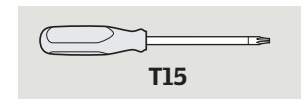
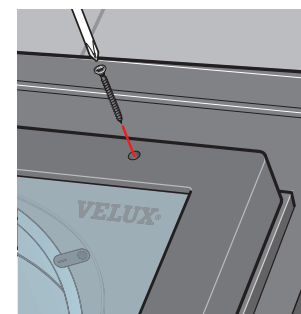
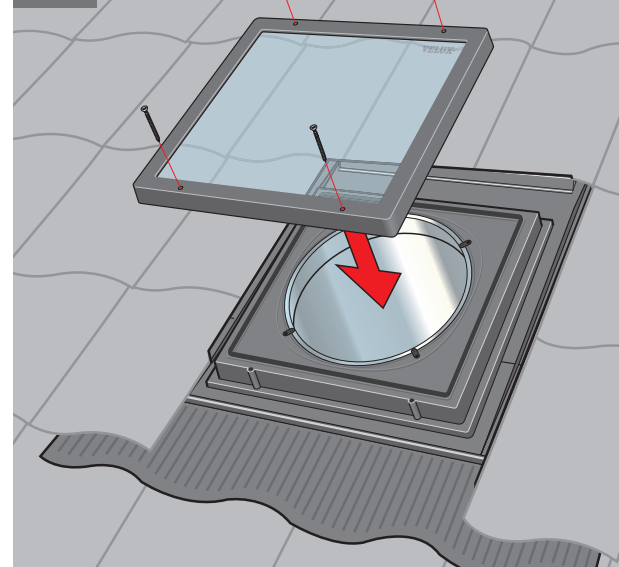
26b 



27



28



T15

AR: VELUX Argentina S.A. 348 4 639944	HU: VELUX Magyarország Kft. (06/1) 436-0601
AT: VELUX Österreich GmbH 02245/32 3 50	IE: VELUX Company Ltd. 01 848 8775
AU: VELUX Australia Pty. Ltd. 1300 859 856	IT: VELUX Italia s.p.a. 045/6173666
BA: VELUX Bosna i Hercegovina d.o.o. 033/626 493, 626 494	JP: VELUX-Japan Ltd. 0570-00-8145
BE: VELUX Belgium (010) 42.09.09	LT: VELUX Lietuva, UAB (85) 270 91 01
BG: VELUX Bulgaria EOOD 02/955 99 30	LV: VELUX Latvia SIA 67 27 77 33
BY: FE VELUX Roof Windows (017) 217 7385	NL: VELUX Nederland B.V. 030 - 6 629 629
CA: VELUX Canada Inc. 1 800 88-VELUX (888-3589)	NO: VELUX Norge AS 22 51 06 00
CH: VELUX Schweiz AG 062 289 44 45	NZ: VELUX New Zealand Ltd. 0800 650 445
CL: VELUX Chile Limitada 2 953 6789	PL: VELUX Polska Sp. z o.o. (022) 33 77 000 / 33 77 070
CN: VELUX (CHINA) CO. LTD. 0316-607 27 27	PT: VELUX Portugal, Lda 21 880 00 60
CZ: VELUX Česká republika, s.r.o. 531 015 511	RO: VELUX România S.R.L. 0-8008-83589
DE: VELUX Deutschland GmbH 01806 / 33 33 99 Festnetz: 0,20 €/Anruf	RS: VELUX Srbija d.o.o. 011 20 57 500
DK: VELUX Danmark A/S 45 16 45 16	RU: ZAO VELUX 8 800 200 7520
EE: VELUX Eesti OÜ 621 7790	SE: VELUX Svenska AB 042/20 83 80
ES: VELUX Spain, S.A. 91 509 71 00	SI: VELUX Slovenija d.o.o. 01 724 68 68
FI: VELUX Suomi Oy 0207 290 800	SK: VELUX Slovensko, s.r.o. (02) 33 000 555
FR: VELUX France 0821 02 15 15 0,119€ TTC/min	TR: VELUX Çatı Pencereleeri Ticaret Limited Şirketi 0 216 302 54 10
GB: VELUX Company Ltd. 01592 778 225	UA: VELUX Ukraina TOV (044) 2916070
HR: VELUX Hrvatska d.o.o. 01/5555 444	US: VELUX America Inc. 1-800-88-VELUX