

Product information

Rescue opening window GTL



Product description

- High quality natural pinewood coated with impregnation and layers of water-based acrylic clear lacquer or white paint
- The top-hung sash can remain open in any position up to an angle of 45°. In an emergency situation, the sash can be opened to an angle of 67° by pushing it further up.
- Bottom handle for convenient operation
- Ventilation flap and integrated dust and insect filter
- Maintenance-free exterior covers
- For easy cleaning of the outer glass pane, the roof window can be operated as a centre-pivot roof window

Roof pitch

- Can be installed in roof pitches between 15° and 65°

Materials

- Laminated pinewood
- Glass
- Lacquered aluminium, copper or zinc
- VELUX ThermoTechnology™ insulation

Downloads

For installation instructions and CAD drawings, please visit www.velux.bg.

Certifications



The VELUX product factories guarantee quality systems implementation process and environmental management systems through appropriate accreditations ISO 9001 and ISO 14001

EUTR In compliance with the EU Timber Regulation (EUTR), EU regulation 995/2010

REACH We are aware of the REACH regulation and acknowledge the obligations. No products are obliged to be registered in accordance to REACH and none of our products contain any Substances of Very High Concern.

Available sizes and daylight area

	472 mm	550 mm	660 mm	780 mm	942 mm	1140 mm	1340 mm
778 mm							
978 mm							
1178 mm							
1398 mm				GTL MK08 (0.72)		GTL SK08 (1.16)	
1600 mm							

Lining measurements

Size	Width (mm)
MK--	725
SK--	1085

Size	Height (mm)
--08	1339

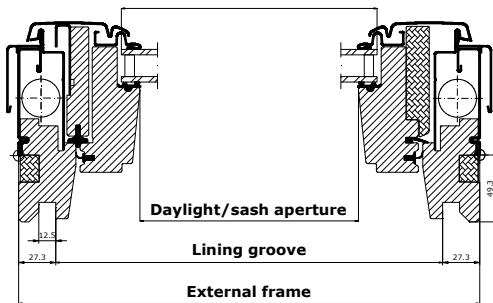
() = Effective daylight area, m²



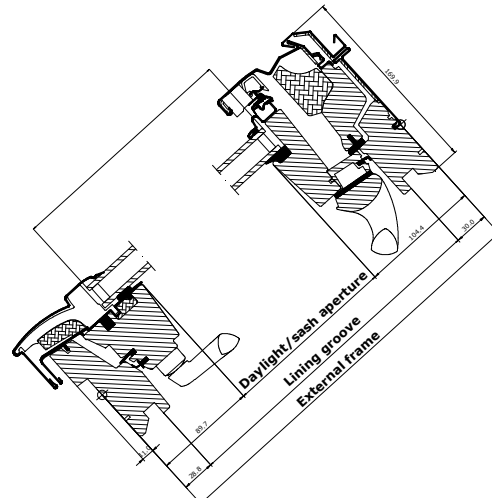
This top-hung roof window with bottom operation can be used as a rescue opening. In an emergency situation, the sash can be opened to an angle of 67°.

For daily use, the top-hung roof window provides an unobstructed panoramic view.

Width



Height



Technical values

	--50	--70	--60	--66	--62
U_w [W/m²K]	1.3	1.3	1.2	1.0	0.83
U_g [W/m²K]	1.1	1.1	1.0	0.7	0.5
R_w [dB]	32	35	37	37	42
g []	0.66	0.64	0.30	0.50	0.50
τ_v []	0.80	0.79	0.61	0.69	0.65
τ_{uv} []	0.32	0.05	0.05	0.05	0.05
Air permeability [class]	4	4	4	4	4

Thermal improvements such as lower U-value (U_w) and lower linear heat loss coefficient (φ) can, for some variants, be obtained with frame insulation collar and/or recessed installation.

Glazing structure

	--50	--70	--60	--66	--62
Inner glass pane	4 mm float with low ε coating	2 x 3 mm laminated float with low ε coating	2 x 3 mm laminated float with low ε coating	2 x 3 mm laminated float with low ε coating	2 x 3 mm laminated float with low ε coating
Middle glass pane	-	-	-	3 mm heat strengthened float with low ε coating	3 mm heat strengthened float with low ε coating
Outer glass pane	4 mm toughened	4 mm toughened	6 mm toughened with coatings	4 mm toughened with coatings	8 mm toughened with coating
Cavity	16 mm	15 mm	15 mm	2 x 12 mm	2 x 10 mm
Glass panes	Double	Double	Double	Triple	Triple
Gas filling	Argon	Argon	Argon	Argon	Krypton

Glazing features

		--50	--70	--60	--66	--62
	Heat insulation Low energy glazing provides reduced heat loss through the window and enhanced indoor comfort.	•	•	••	•••	•••
	Solar gain In the wintertime, the heat from the sun entering through the windows is a usable solar gain.	•••	•••	•	••	••
	Solar protection In warm climates and in rooms with large window areas, a sun protective coating provides a better indoor climate during summer periods. Alternatively, exterior sunscreening can be installed.			•••		
	Sound insulation A combination of laminated glass and optimal glass thickness provides better sound insulation. Frame/sash construction and gaskets are equally important.	•	••	•••	•••	•••
	Security Thicker laminated inner glass pane designed to increase resistance to manual attack (burglary).		•	•	•	•
	Energy balance The energy balance represents the ability of the roof window to utilise the passive solar gain and keep in the heat during winter and its ability to protect against the risk of overheating during summer. Sunscreening products can further improve indoor summer comfort.	✓	✓	✓	✓	✓
	Safety Laminated inner glass is designed to hold the fragments together if the glass breaks. We recommend that you consider using glass units with laminated glass on the inside for windows placed above areas where people sleep, play or work.		✓	✓	✓	✓
	Outside strength Toughened outer glass pane makes your glazing more resistant to hail, heavy wind and snow loads.	✓	✓	✓	✓	✓
	Delayed fading of materials Inner laminated glass protects materials behind the glass against UV radiation and therefore delays fading of the materials.		✓	✓	✓	✓
	Rain noise reduction The combination of laminated glass and extra thick glass helps provide a significant, audible reduction of rainfall sound. Frame/sash construction and gaskets are equally important.			✓		✓
	Easy-to-clean The easy-to-clean coating minimises the cleaning frequency of the outer glass pane and gives you a clearer view in case of rain.			✓	✓	
	Anti-dew The anti-dew coating significantly reduces the days with dew on the outer glass pane and thus gives you a clear view.				✓	✓

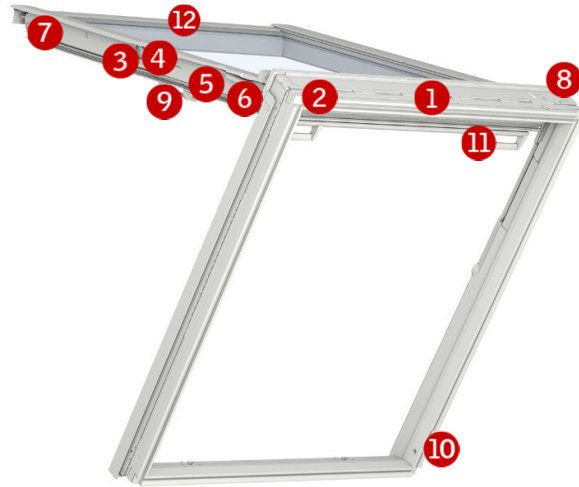
• Good •• Better ••• Best ✓ Feature included in glazing variant

Technical values, ventilation through ventilation flap

Property	Windows with double glazing		Windows with triple glazing		
	Width				
	MK--	SK--		MK--	SK--
Air flow characteristics [l/s]	tbd	tbd		tbd	tbd
Air flow exponent [-]	tbd	tbd		tbd	tbd
Ventilation capacity at 4 Pa [l/s]	tbd	tbd		tbd	tbd
Ventilation capacity at 8 Pa [l/s]	tbd	tbd		tbd	tbd
Ventilation capacity at 10 Pa [l/s]	tbd	tbd		tbd	tbd
Ventilation capacity at 20 Pa [l/s]	tbd	tbd		tbd	tbd
Equivalent area through ventilation flap [mm ²]	tbd	tbd		tbd	tbd
Geometrical free area [mm ²]	tbd	tbd		tbd	tbd

tbd: to be determined

Visible features



1 Lock casing

- electro-galvanised steel
- colour: "silver"



2 Data plate

- window type, size and variant code
- CE marking
- production code
- QR code



3 Click-on covers

- lacquered aluminium

4 Hinges with friction

- electro-galvanised steel
- colour: "silver"



5 Lifting device

- steel with magnelis coating

6 Emergency lifting device

- gas spring
- colour: black



ThermoTechnology™

7 Excellent insulation

- expanded polystyrene
- colour: grey charcoal



8 Barrel bolts

- plastic
- colour: grey
- steel
- colour: "silver"



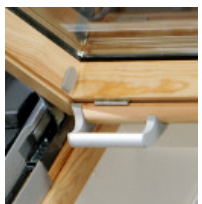
9 Handles on side sash

- anodised aluminium



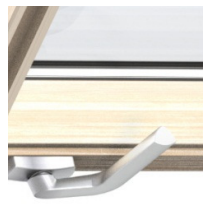
10 Barrel bolt bushings

- plastic
- colour: grey



11 Control bars

- anodised aluminium



12 Bottom handle

- anodised aluminium

Cleaning and maintenance



To clean the outer pane from the inside, rotate sash and secure in cleaning position with barrel bolt.



VELUX repair and maintenance kits are available.

Exterior covers

Material	NCS standard colour	RAL nearest standard colour
Lacquered aluminium (-0--) grey	S 7500-N	7043
Lacquered aluminium (-5--) black	S 9000-N	9005
Copper (-1--)	-	-
Titanium zinc (-3--)	-	-

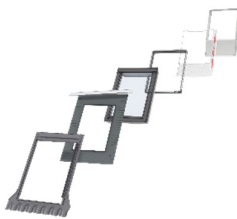
Special colour requests, please contact www.velux.bg.

Interior finish

Clear lacquer	Impregnation and layers of water-based acrylic lacquer
White paint	Impregnation and layers of water-based acrylic paint, NCS standard colour: S 0500-N, nearest RAL standard colour: 9003.

Special colour requests, please contact www.velux.bg.

Flashings and installation products



Flashings:

- Single installation ED-
- Twin installation EB-
- Combi installation EK-

Available for standard and recessed installation

Installation products:

- Installation set BDX 2000 (incl BFX)
- Underfelt collar BFX 1000 incl transverse drainage gutter
- Vapour barrier collar BBX 0000
- Linings LS- (incl BBX)
- Kit for lining LSG 1000 (incl BBX)

Note

We reserve the right to make technical changes.

For more information on rescue opening window GTL and other VELUX products, please visit www.velux.bg.

Blinds, awnings and shutters



Interior sun screening

- Blackout blind
- Roller blind
- Pleated blind
- Flying pleated blind
- Double pleated energy blind
- Venetian blind
- Duo blackout blind



Exterior sun screening

- Awning blind
- Roller shutter



Additional accessories

- Insect roller screen

••• Available in manual and mains/solar powered versions
 •• Available in manual and mains powered versions
 • Available in manual version

The mains and solar powered versions are part of the VELUX INTEGRA® product range.