

Product information

Bottom-operated centre-pivot pine roof window GZL 1051B



Product description

- High quality natural pinewood coated with impregnation and layers of clear water-based acrylic lacquer
- Bottom handle, coated zinc, for convenient operation of roof windows in high installations
- Two-level ventilating slot and integrated, cleanable dust and insect filter
- Maintenance-free exterior covers

Roof pitch

- Can be installed in roof pitches between 15° and 90°

Materials

- Laminated pinewood
- Float glass (inner glass pane)
- Toughened glass (outer glass pane)
- Lacquered aluminium

Downloads

For installation instructions, CAD drawings, 3D BIM objects, 3D GDL objects etc, please visit velux.bg.

Certifications



The VELUX product factories guarantee quality systems implementation process and environmental management systems through appropriate accreditations ISO 9001 and ISO 14001

EUTR In compliance with the EU Timber Regulation (EUTR), EU regulation 995/2010

REACH We are aware of the REACH regulation and acknowledge the obligations. No products are obliged to be registered in accordance to REACH and none of our products contain any Substances of Very High Concern.

Available sizes and daylight area

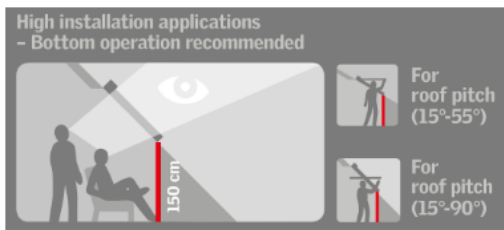
	472 mm	550 mm	660 mm	780 mm	942 mm	1140 mm	1340 mm
778 mm							
978 mm				GZL B MK04 (0.47)			
1178 mm			GZL B FK06 (0.47)	GZL B MK06 (0.59)			
1398 mm				GZL B MK08 (0.72)	GZL B PK08 (0.92)		
1600 mm				GZL B MK10 (0.85)			

Lining measurements

Size	Width (mm)
FK--	605
MK--	725
PK--	887

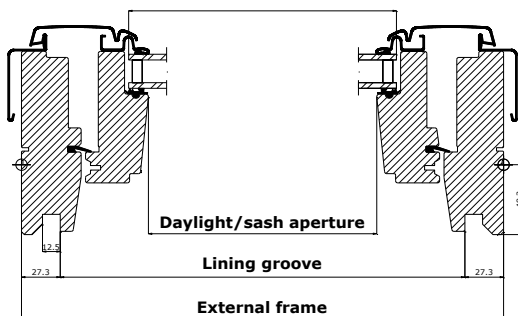
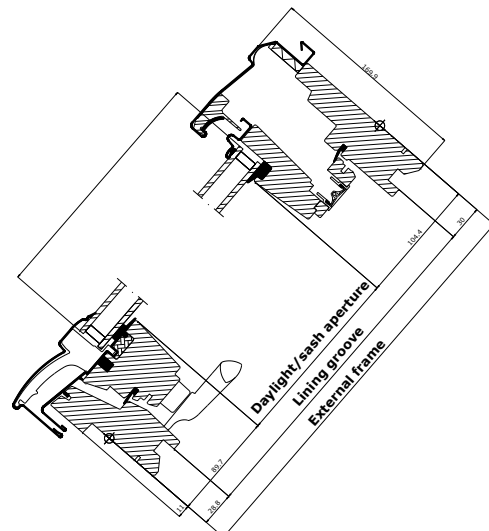
Size	Height (mm)
--04	919
--06	1119
--08	1339
--10	1549

() = Effective daylight area, m²



Bottom-operated roof windows, centre-pivot or top-hung, are recommended in high installations where the bottom handle allows within-reach operation.

Try to allow for a clear view when standing and when seated. Note that the optimum window height depends on the roof pitch.

Width

Height


Technical values	Glazing structure
------------------	-------------------

GZL 1051B	--51
U _w [W/m ² K]	1.3
U _g [W/m ² K]	1.0
R _w [dB]	29
g []	0.46
τ _v []	0.69
τ _{uv} []	0.22
Air permeability [class]	3

GZL 1051B	--51
Inner glass pane	4 mm float with low ε coating
Middle glass pane	-
Outer glass pane	4 mm toughened with low ε coating
Cavity	16 mm
Glass panes	Double
Gas filling	Argon

Thermal improvements such as lower U-value (U_w) and lower linear heat loss coefficient (φ) can be obtained with frame insulation collar and recessed installation.

Technical values, ventilation through ventilating slot			
--	--	--	--

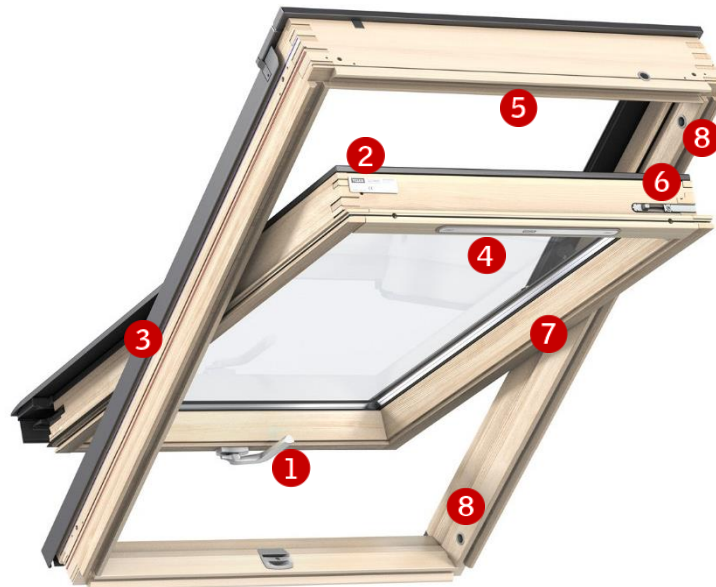
Two-level ventilating slot with one/both side(s) open Property	Width		
	FK--	MK--	PK--
Air flow characteristics [l/s]	1.2 / 1.8	1.2 / 1.9	1.2 / 2.1
Air flow exponent [-]	0.55 / 0.52	0.55 / 0.52	0.55 / 0.52
Ventilation capacity at 4 Pa [l/s]	2.6 / 3.7	2.6 / 3.9	2.6 / 4.3
Ventilation capacity at 8 Pa [l/s]	3.8 / 5.3	3.8 / 5.6	3.8 / 6.2
Ventilation capacity at 10 Pa [l/s]	4.3 / 6.0	4.3 / 6.3	4.3 / 7.0
Ventilation capacity at 20 Pa [l/s]	6.2 / 8.5	6.2 / 9.0	6.2 / 10.0
Equivalent area through ventilating slot [mm ²]	Not relevant	Not relevant	Not relevant
Geometrical free area [mm ²]	Not relevant	Not relevant	Not relevant

Glazing features

		--51
	Heat insulation Low energy glazing provides reduced heat loss through the window and enhanced indoor comfort.	••
	Solar gain In the wintertime, the heat from the sun entering through the windows is a usable solar gain.	••
	Solar protection In warm climates and in rooms with large window areas, a sun protective coating provides a better indoor climate during summer periods. Alternatively, exterior sunscreening can be installed.	
	Sound insulation A combination of laminated glass and optimal glass thickness provides better sound insulation. Frame/sash construction and gaskets are equally important.	•
	Security Thicker laminated inner glass pane designed to increase resistance to manual attack (burglary).	
	Energy balance The energy balance represents the ability of the roof window to utilise the passive solar gain and keep in the heat during winter and its ability to protect against the risk of overheating during summer. Sunscreening products can further improve indoor summer comfort.	✓
	Safety Laminated inner glass is designed to hold the fragments together if the glass breaks. We recommend that you consider using glass units with laminated glass on the inside for windows placed above areas where people sleep, play or work.	
	Outside strength Toughened outer glass pane makes your glazing more resistant to hail, heavy wind and snow loads.	✓
	Delayed fading of materials Inner laminated glass protects materials behind the glass against UV radiation and therefore delays fading of the materials.	

• Good •• Better ••• Best ✓ Feature included in glazing variant

Visible features



1 Bottom handle

- coated zinc
- ventilating position



2 Data plate

- window type, size and variant code
- CE marking
- production code
- QR code



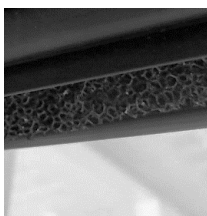
3 Click-on covers

- lacquered aluminium



4 Ventilating slot

- two ventilation levels



5 Dust and insect filter

- cleanable



6 Barrel bolt

- plastic
- colour: grey
- steel
- colour: "silver"



7 Hinges with friction

- electro-galvanised steel
- colour: "silver"



8 Barrel bolt bushings

- plastic
- colour: grey

Cleaning and maintenance



To clean the outer pane from the inside, rotate sash and secure in cleaning position with barrel bolt.



VELUX repair and maintenance kits are available.

Exterior covers

Material	NCS standard colour	RAL nearest standard colour
Lacquered aluminium (-0--) grey	S 7500-N	7043

Interior finish

Clear lacquer	Impregnation and layers of water-based acrylic lacquer
---------------	--

Blinds, awnings and shutters



Interior suncreening

- Blackout blind ●●●
- Roller blind ●●●●
- Pleated blind ●●
- Flying pleated blind ●
- Double pleated energy blind ●●
- Venetian blind ●●
- Duo blackout blind ●



Exterior sunscreening

- Awning blind ●●●
- Roller shutter ●●●



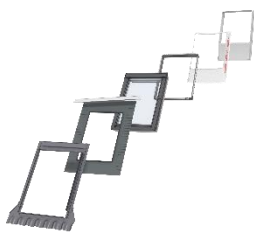
Additional accessories

- Insect roller screen ●

- Available in manual and mains/solar powered versions
- Available in manual and mains powered versions
- Available in manual version

The mains and solar powered versions are part of the VELUX INTEGRA® product range.

Flashings and installation products



Flashings:

- ED- for single installation
- EB- for twin installation
- EK- for combi installation

Available for standard and recessed installation

Installation products:

- Installation set BDX 2000
- Underfelt collar BFX 1000 incl transverse drainage gutter
- Vapour barrier collar BBX 0000
- Linings LS-
- Kit for lining LSG 1000

Note

We reserve the right to make technical changes.

For more information on roof window GZL 1051B and other VELUX products, please visit velux.bg.