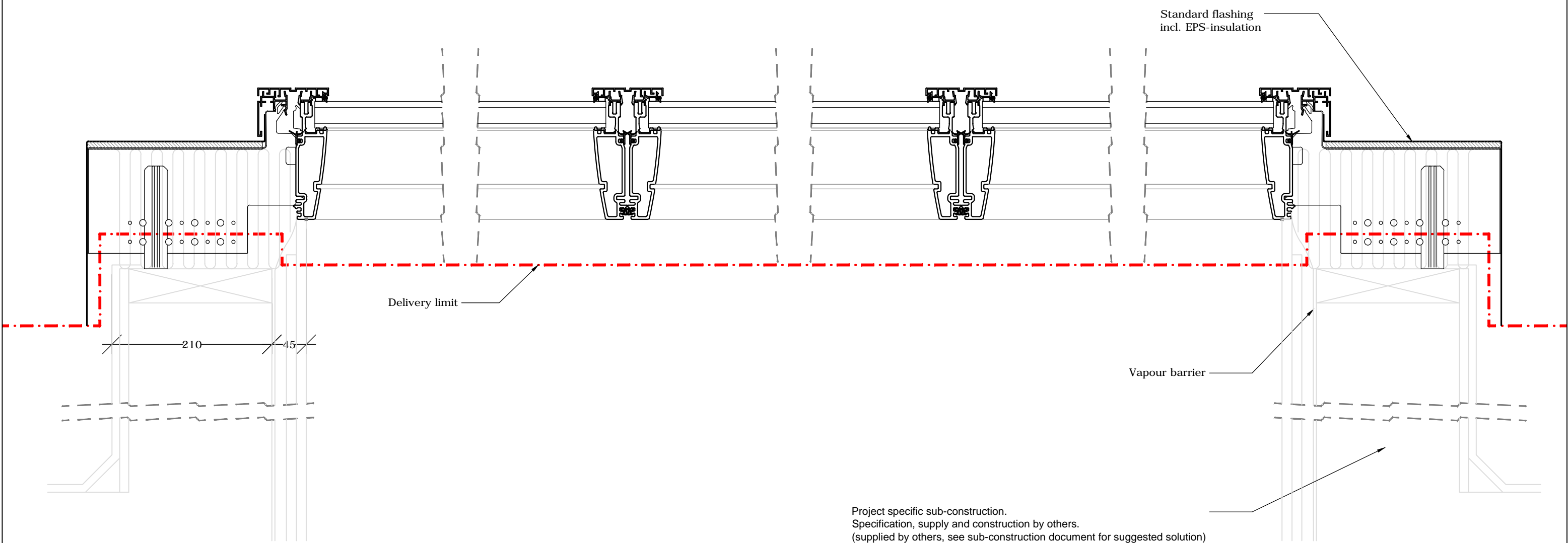
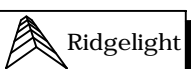
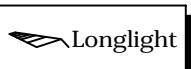


Plan view - principle



VELUX is a supplier of building components and is only responsible for its own description of the properties of the products. VELUX is not responsible for the design, the specifications, or the construction of the installation of its products such as may be prepared or undertaken by others or as included in any tender documentation. Please contact VELUX for information on the properties of the products. The buyer is responsible with regard to the installation of the products of VELUX and for satisfying the applicable building, fire and other legal requirements. The modules, the sub-construction and the installation must be designed, specified and dimensioned to fit the specific requirements of the project as well as the applicable architectural and engineering requirements and practices, along with the requirements and practices of third party providers to the project.

© 2013 VELUX GROUP, VELUX® and VELUX logo are registered trademarks.



VELUX A/S
VELUX Modular Skylight

Projekt no.: ----	Date: 01.05.2015	ER/LC-VAS-15-00011
VELUX Modular Skylights	Skylight ID:	
Longlight, Ridgelight and Wall mounted Longlight	Rev. date:	
Longitudinal section	VELUX Company Ltd	Scale: 1:5 Initialer: KLo