

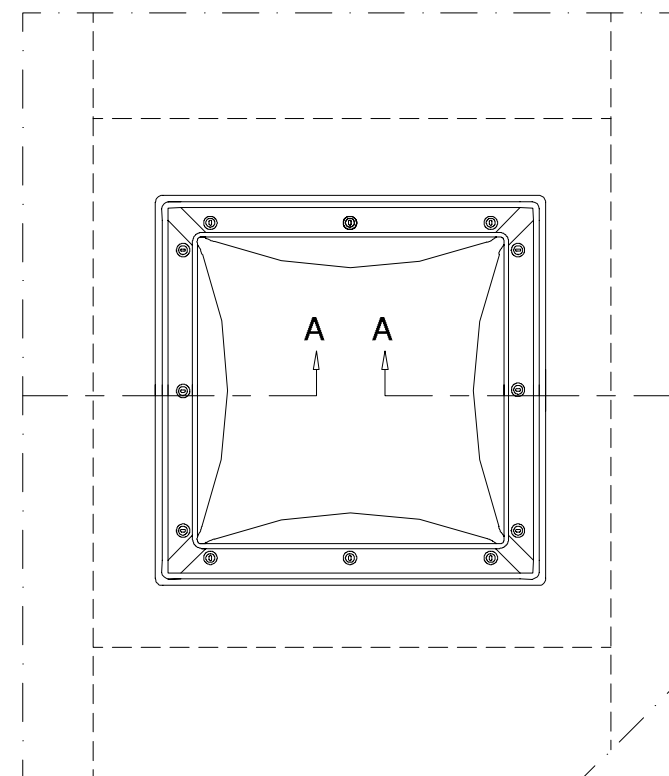
VELUX Products:



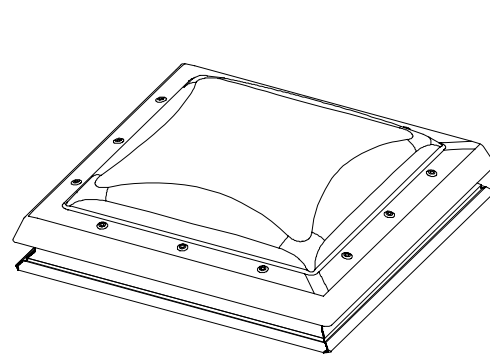
Roof covering:



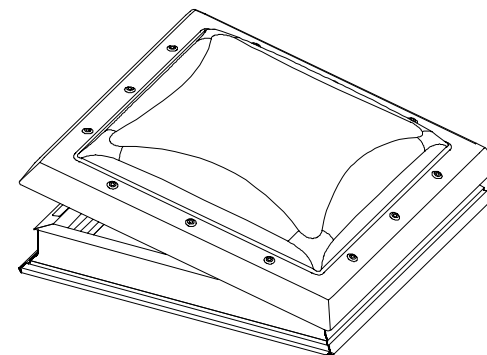
Roof opening = (W) x (H)
 600 x 600
 800 x 800
 600 x 900
 900 x 900
 1000 x 1000
 1200 x 1200



Sheer plan perpendicular to roof

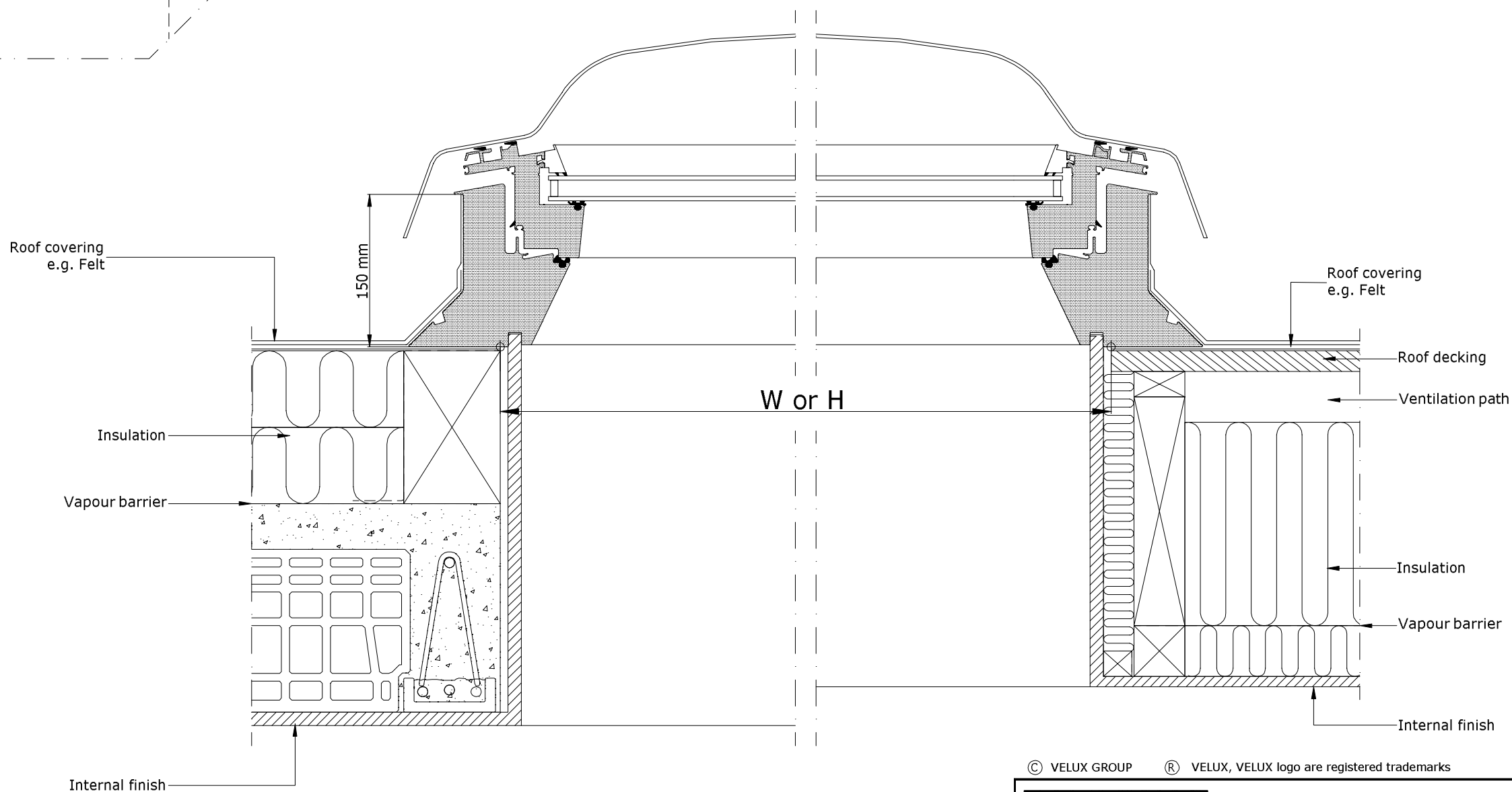


CFP (Fixed window)



CVP (Ventilated window)

Section A-A



© VELUX GROUP ® VELUX, VELUX logo are registered trademarks

VELUX		VELUX A/S	
		VELUX A/S	
VELUX Roof Window CVP and CFP installed in felt		Date 15.01.10	File name CVP-VAS-401-0110
Roof construction: concrete and rafters		All measurement in mm	Drawing no. -
		SCo	-

Note:
 When installing VELUX Roof Windows, flashings and installation products, the manufacturers instructions and current building and fire regulations, where applicable, must be met.