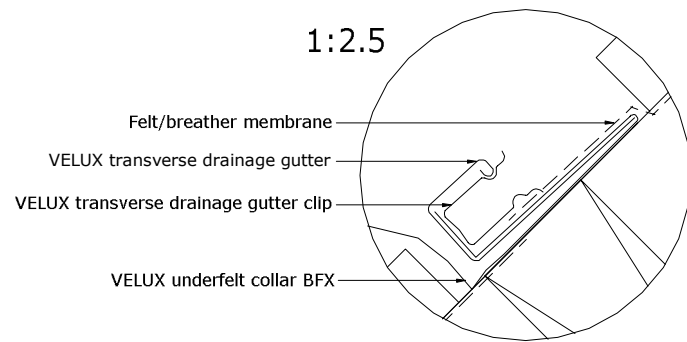
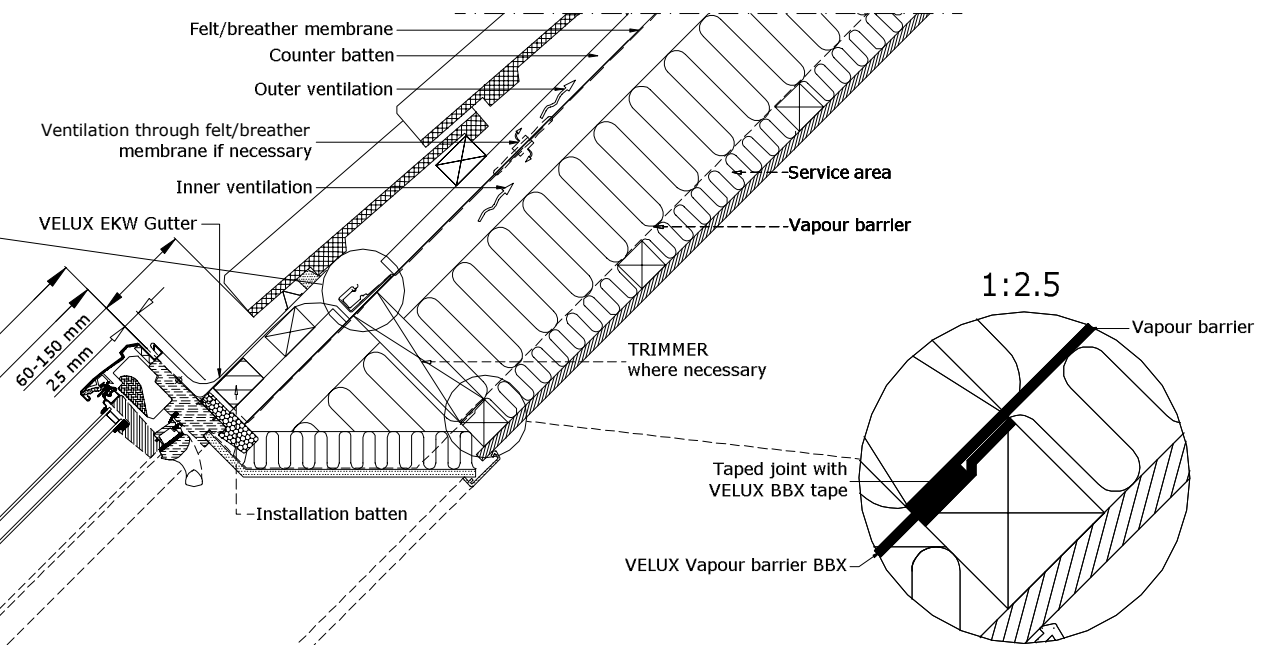


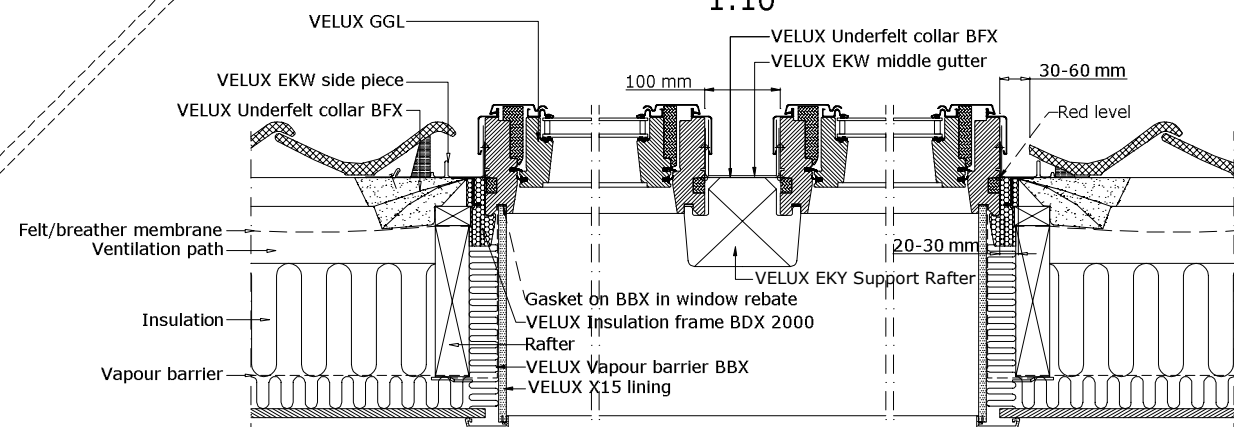
Sheer plan perpendicular to roof



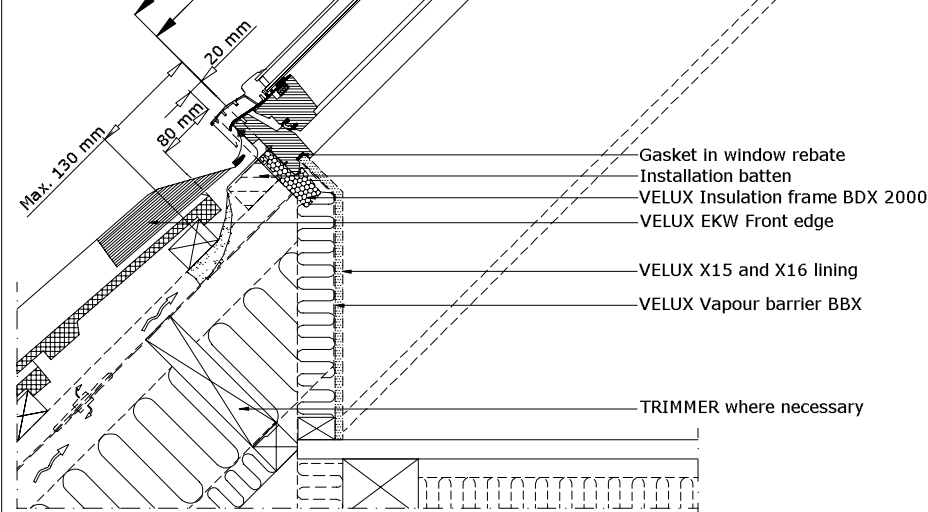
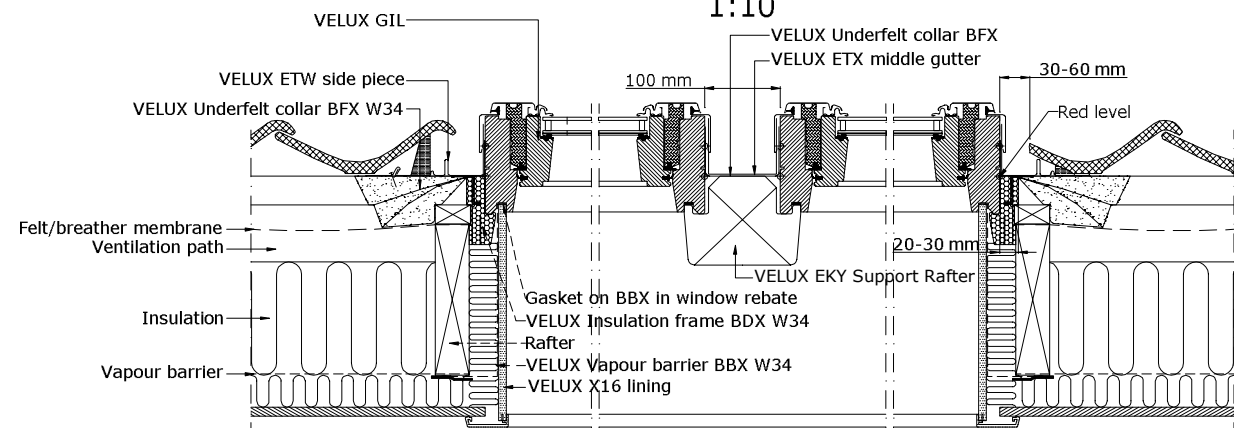
Section A-A
1:10



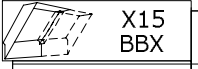
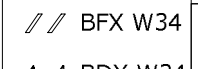
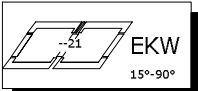
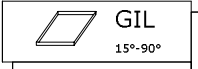
Section B-B
1:10



Section C-C
1:10



VELUX Products:



Roof covering:



© VELUX GROUP ® VELUX, VELUX logo are registered trademarks



VELUX A/S

Get more daylight
Get more comfort
Use less energy

Note:
When installing VELUX Roof Windows, flashings and installation products, the manufacturers instructions and current building and fire regulations, where applicable, must be met.

VELUX Roof Window GGL+GIL Install in tiles high profiled VELUX insulation BDX 2000 and under felt collar BFX VELUX flash. EKW+ETW+ETW, VELUX lining X15 + X16 VELUX vapour barrier collar BBX + VELUX EKY	Date 01.05.14	File name EKW+ETW-GIL-0514	Drawing no. -
All measurement in mm	SCo		