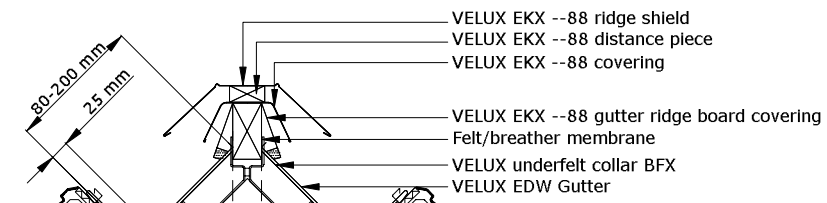
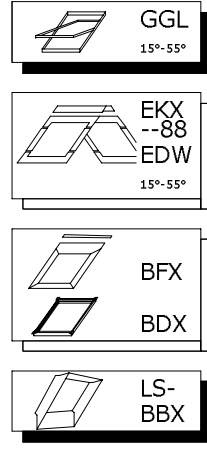


Section A-A  
1:10



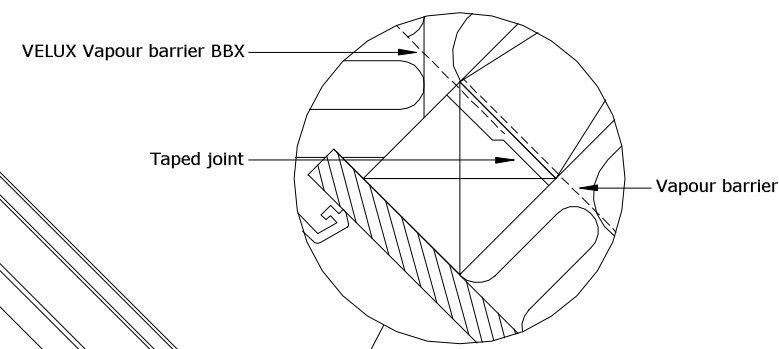
VELUX Products:



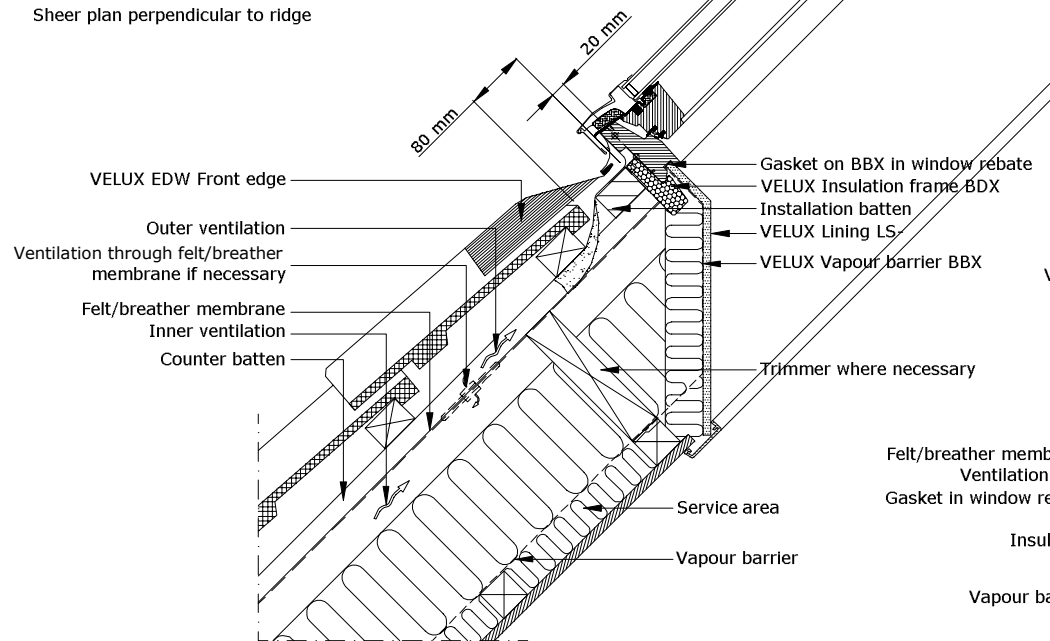
Roof covering:



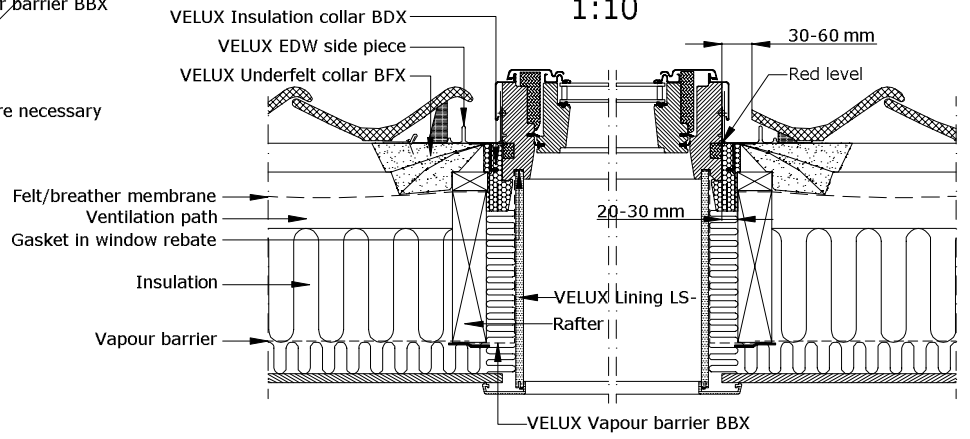
1:2.5



Sheer plan perpendicular to ridge



Section B-B  
1:10



© VELUX GROUP ® VELUX, VELUX logo are registered trademarks



VELUX A/S

Note:  
 When installing VELUX Roof Windows, flashings and installation products, the manufacturers instructions and current building and fire regulations, where applicable, must be met.

VELUX Roof Windows GGL Installed in high profiled tiles VELUX insulation collar BDX and under felt collar BFX VELUX flashing EDW and EKV --88 VELUX lining LS- and vapour barrier collar BBX	Date 27.08.14 All measurement in mm SCo	File name EKX88-EDW- GGL-XXX-0814 -	Drawing no. - -
---	---	---	-----------------------