

Product information

VELUX STUDIO pine roof window GGLS



Product description

- Three windows in one frame, can be installed as easily as one standard VELUX roof window.
- Extensive view to the outside and more daylight due to extra slim frame profiles.
- One piece top case and slim claddings offer an aesthetic integration in the roof.
- One frame allows a simple well-known installation process with fewer components.

Roof pitch

- Can be installed in roof pitches between 15° and 90°

Materials

- Laminated pinewood
- Glass
- Lacquered aluminium
- VELUX ThermoTechnology™ insulation

Downloads

For installation instructions, CAD drawings, 3D BIM objects, please visit www.velux.co.uk

Certifications



The VELUX product factories guarantee quality systems implementation process and environmental management systems through appropriate accreditations ISO 9001 and ISO 14001

EUTR In compliance with the EU Timber Regulation (EUTR), EU regulation 995/2010

REACH We are aware of the REACH regulation and acknowledge the obligations. No products are obliged to be registered in accordance to REACH and none of our products contain any Substances of Very High Concern.

Available sizes and daylight area

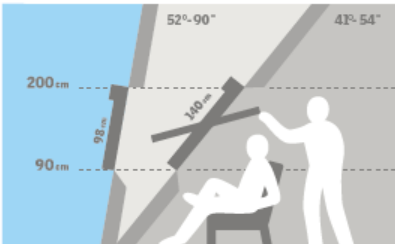
| | |
|---------|--------------------------------|
| | 1837 mm |
| 1178 mm | GGLS WK06 (1.42) |

() = Effective daylight area, m²

Lining measurements

| Size | Width (mm) |
|------|------------|
| WK-- | 1783 |

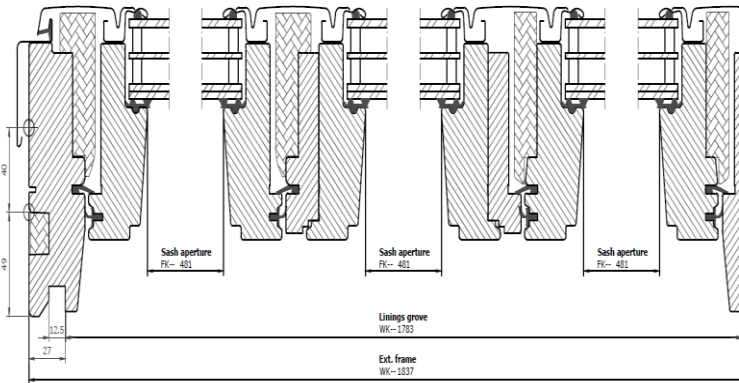
| Size | Height (mm) |
|------|-------------|
| --06 | 1119 |



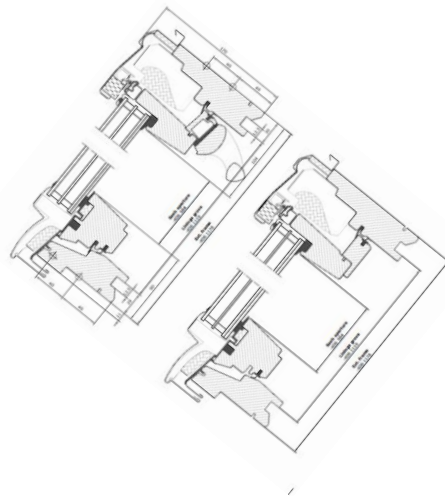
Centre-pivot roof windows make it possible to place furniture directly below the window without obstructing operation of the window.

For windows to be placed within reach, try to allow for a clear view when standing and when seated. Note that the optimum window height depends on the roof pitch.

Width



Height



Technical values

| | --70 | --66 |
|---|------|------|
| U_w [W/m²K] | 1.5 | 1.2 |
| U_g [W/m²K] | 1.0 | 0.5 |
| R_w [dB] | 34 | 36 |
| g [] | 0.46 | 0.51 |
| τ_v [] | 0.68 | 0.74 |
| τ_{uv} [] | 0.05 | 0.05 |
| Air permeability [class] | 4 | 4 |

Glazing structure

| | --70 | --66 |
|--------------------------|---|---|
| Inner glass pane | 2 x 3 mm laminated float with low ε coating | 2 x 3 mm laminated float with low ε coating |
| Middle glass pane | - | 3 mm heat strengthened float with low ε coating |
| Outer glass pane | 4 mm toughened with coatings | 4 mm toughened with coatings |
| Cavity | 15 mm | 2 x 12 mm |
| Glass panes | Double | Triple |
| Gas filling | Argon | Krypton |

Glazing features

| | | --70 | --66 |
|--|---|------|------|
| | Heat insulation Low energy glazing provides reduced heat loss through the window and enhanced indoor comfort. | ● | ●●● |
| | Solar gain In the wintertime, the heat from the sun entering through the windows is a usable solar gain. | ●●● | ●● |
| | Sound insulation A combination of laminated glass and optimal glass thickness provides better sound insulation. Frame/sash construction and gaskets are equally important. | ●● | ●●● |
| | Security Thicker laminated inner glass pane designed to increase resistance to manual attack (burglary). | ● | ● |
| | Safety Laminated inner glass is designed to hold the fragments together if the glass breaks. We recommend that you consider using glass units with laminated glass on the inside for windows placed above areas where people sleep, play or work. | ✓ | ✓ |
| | Outside strength Toughened outer glass pane makes your glazing more resistant to hail, heavy wind and snow loads. | ✓ | ✓ |
| | Delayed fading of materials Inner laminated glass protects materials behind the glass against UV radiation and therefore delays fading of the materials. | ✓ | ✓ |
| | Rain noise reduction The combination of laminated glass and extra thick glass helps provide a significant, audible reduction of rainfall sound. Frame/sash construction and gaskets are equally important. | ✓ | ✓ |
| | Easy-to-clean The easy-to-clean coating minimises the cleaning frequency of the outer glass pane and gives you a clearer view in case of rain. | | ✓ |
| | Anti-dew The anti-dew coating significantly reduces the days with dew on the outer glass pane and thus gives you a clear view. | | ✓ |

● Good ●● Better ●●● Best ✓ Feature included in glazing variant

Technical values, ventilation through ventilation flap

| Property | Windows with double or triple glazing | |
|---|---------------------------------------|-----------------------------|
| | Width | |
| | One Ventilation Flap Open | Both Ventilation Flaps Open |
| Air flow characteristics [l/s] | 2.3 | 4.6 |
| Air flow exponent [-] | 0.53 | 0.53 |
| Ventilation capacity at 4 Pa [l/s] | 4.8 | 9.6 |
| Ventilation capacity at 8 Pa [l/s] | 6.9 | 13.8 |
| Ventilation capacity at 10 Pa [l/s] | 7.8 | 15.6 |
| Ventilation capacity at 20 Pa [l/s] | 11.3 | 22.3 |
| Equivalent area through ventilation flap [mm ²] | 3100 | 6200 |
| Geometrical free area [mm ²] | 3700 | 7400 |

Visible features



1 Lock casing

- electro-galvanised steel
- colour: "silver"



2 Data plate

- window type, size and variant code
- CE marking
- production code
- QR code



3 Click-on covers

- lacquered aluminium



4 Control bar

- anodised aluminium



5 Excellent insulation

- expanded polystyrene
- colour: grey charcoal



6 Barrel bolt

- plastic
- colour: grey
- steel
- colour: "silver"



7 Hinges with friction

- electro-galvanised steel
- colour: "silver"



8 Barrel bolt bushings

- plastic
- colour: white/grey

Cleaning and maintenance



To clean the outer pane from the inside, rotate sash and secure in cleaning position with barrel bolt.



VELUX repair and maintenance kits are available.

Exterior covers

| Material | NCS standard colour | RAL nearest standard colour |
|---------------------------------|---------------------|-----------------------------|
| Lacquered aluminium (-0--) grey | S 7500-N | 7043 |

Interior finish

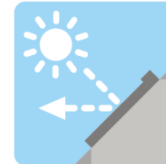
| | |
|-------------|---|
| White paint | Impregnation and layers of water-based acrylic lacquer and paint, NCS standard colour: S 0500-N, nearest RAL standard colour: 9003. |
|-------------|---|

Blinds, awnings and shutters



Interior sunscreening

- Blackout blind ●●●
- Roller blind ●●●●
- Pleated blind ●●●●
- Flying pleated blind ●
- Double pleated energy blind ●●
- Venetian blind ●
- Duo blackout blind ●



Exterior sunscreening

- Awning blind ●●●
- Roller shutter ●●●



Additional accessories

- Insect roller screen ●

- Available in manual and mains/solar powered versions
- Available in manual and mains powered versions
- Available in manual version

The mains and solar powered versions are part of the VELUX INTEGRA® product range.

Flashings and installation products



Flashings:

- ED-S for single installation

Available for standard installation only

Installation products:

- Installation set BDX 2000 (incl BFX)
- Underfelt collar BFX 1000 incl transverse drainage gutter
- Vapour barrier collar BBX 0000

Control options



VELUX INTEGRA®

- Solar upgrade kit KSX 100K can be fitted to upgrade manual windows to obtain a series of benefits



- Telescopic rod

Note

We reserve the right to make technical changes.

For more information on roof window GGLS and other VELUX products, please visit www.velux.co.uk