

Product information

VELUX INTEGRA[®] Electric flat roof window CVP with flat glass cover ISD



Product description

- Mains powered, vented window for flat roofs with flat glass cover
- Pre-installed hidden window operator
- Simple, convenient wall switch
- Rain sensor ensures that the window closes automatically in case of rain
- Easy installation of mains powered decoration and sunscreening products
- Sleek, elegant outer design in glass and aluminium
- Wear-resistant, maintenance-free, high quality white PVC frame
- Low energy insulating glass unit
- 4 mm toughened flat glass cover with silk screen printed rim
- Easy-to-clean coating on glass minimises cleaning frequency and gives a clearer view in case of rain
- Maintenance-free aluminium profiles

Roof pitch

Can be installed in roof pitches between 2° and 15°

Materials

- Extruded PVC
- VELUX ThermoTechnology™ insulation
- Insulating glass unit with laminated inner pane
- Extruded aluminium
- Flat glass cover, toughened glass

Downloads

For installation instructions, CAD drawings, 3D BIM objects, 3D GDL objects etc, please visit www.velux.co.uk

Certifications



The VELUX product factories guarantee quality systems implementation process and environmental management systems through appropriate accreditations ISO 9001 and ISO 14001

EUTR In compliance with the EU Timber Regulation (EUTR), EU regulation 995/2010

REACH We are aware of the REACH regulation and acknowledge the obligations. No products are obliged to be registered in accordance to REACH and none of our products contain any Substances of Very High Concern.

Available sizes and daylight area

	600 mm	800 mm	900 mm	1000 mm	1200 mm	1500 mm
600 mm	CVP 060060 (0.19)					
800 mm		CVP 080080 (0.40)				
900 mm	CVP 060090 (0.32)		CVP 090090 (0.54)			
1000 mm				CVP 100100 (0.70)		
1200 mm			CVP 090120 (0.76)		CVP 120120 (1.07)	
1500 mm				CVP 100150 (1.11)		

() = Effective daylight area, m²

Lining measurements

Size	W x H mm
060060	559x559
080080	759x759
060090	559x859
090090	859x859
090120	859x1159
100100	959x959
100150	959x1459
120120	1159x1159

External frame measurements

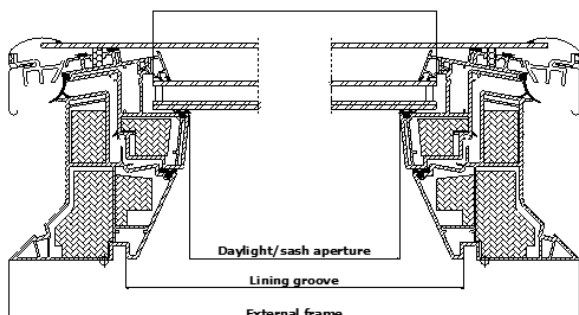
Size	W x H mm
060060	780x780
080080	980x980
060090	780x1080
090090	1080x1080
090120	1080x1380
100100	1180x1180
100150	1180x1680
120120	1380x1380



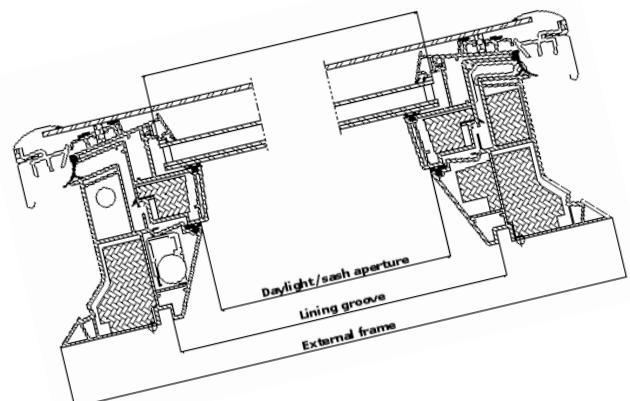
VELUX INTEGRA® flat roof window CVP with flat glass cover

- is mains powered
- is operated with wall switch supplied with the window. Several flat roof windows can be controlled with the same wall switch
- opens 200 mm – providing good ventilation
- requires a roof pitch between 2° and 15°
- adds a modern yet elegant look to the building
- can be combined with fixed flat roof windows for the ultimate combination of natural light and fresh air

Width



Height



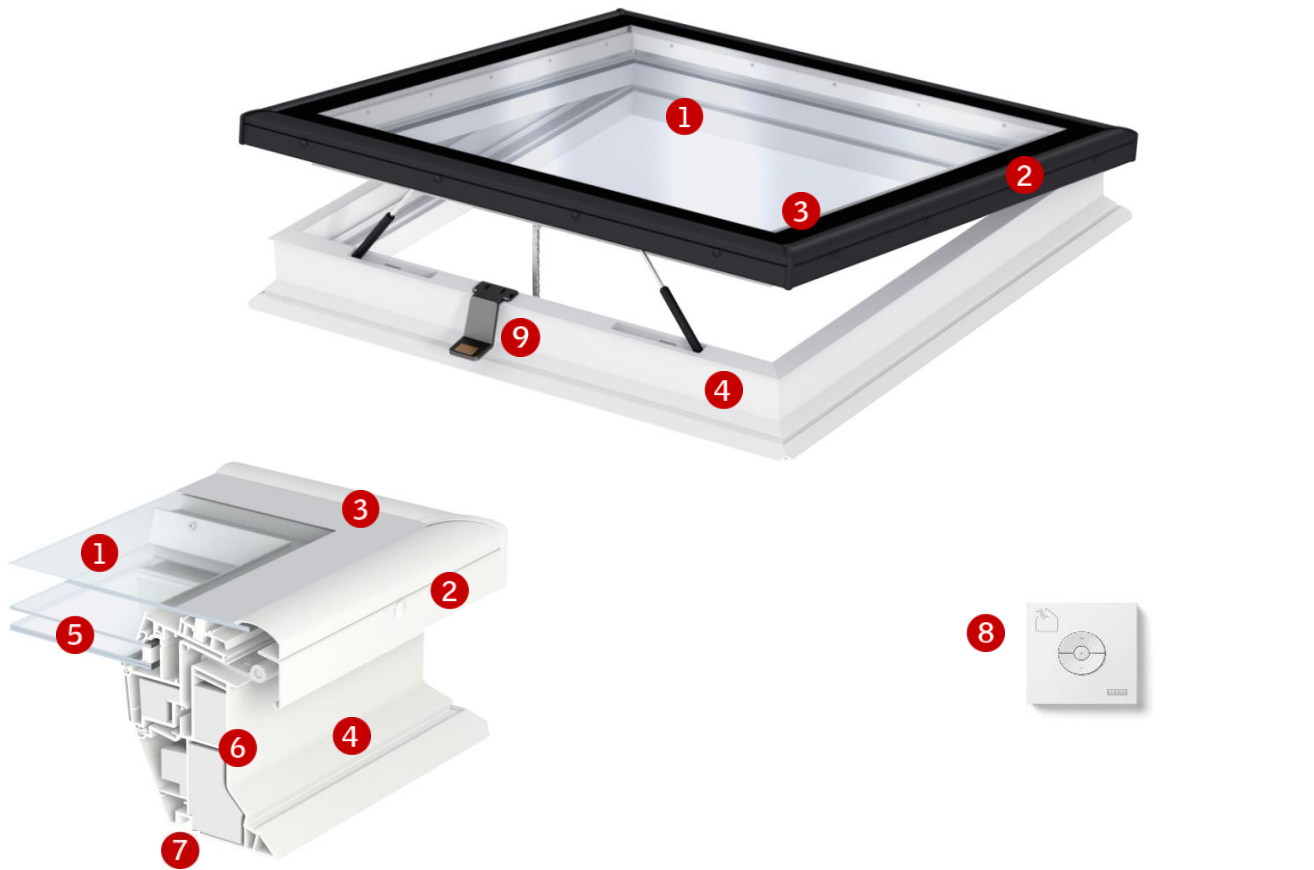
Technical values

Property	Window sizes							
	060060	060090	080080	090090	090120	100100	100150	120120
Ventilation area m ²	0.12	0.14	0.16	0.18	0.20	0.20	0.23	0.24

Glazing structure

	--73QV
Inner glass pane	2 x 3 mm laminated float with low ε coating
Outer glass pane	4 mm float with coating
Cavity	14.5 mm
Glass panes	Double
Gas filling	Argon

Visible features



1 Outer glass pane

- 4 mm toughened glass pane
- provides significant rain noise reduction and excellent sound insulation
- protects the insulating glass unit
- easy-to-clean coating

2 Aluminium sash

- 1.5 mm extruded aluminium profiles
- colour: grey, same colour as VELUX roof windows
- NCS standard colour: S 7500-N, Nearest RAL standard colour: 7043
- maintenance-free

3 Silk screen print

- silk screen print burned into the glass
- colour: black
- maintenance-free

4 Frame

- PVC profiles provide a nice, smooth surface
- easy cleaning
- maintenance-free

5 Insulating glass unit

- double-glazed
- inner laminated pane for personal safety

6 Insulation

Frame filled with polystyrene for superb insulation.
Amount of insulation varies depending on variant.

7 Lining groove

Unique lining groove makes it easy to build an accurate lining and get a smooth finish

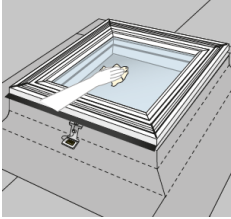
8 Wall switch

VELUX INTEGRA® wall switch for simple, convenient operation of the window

9 Rain sensor

Rain sensor ensures that the window closes automatically if it starts raining

Cleaning and maintenance



To clean the outer pane of the insulating glass unit, remove the flat glass cover from the flat roof window.

Clean the flat glass cover with clean water only.

Do not add cleaners/detergents to the water (applies to both insulating glass unit and flat glass cover).

Exterior finish

Grey aluminium profiles	NCS standard colour: S 7500-N, Nearest RAL standard colour: 7043
--------------------------------	---

Interior finish

White PVC profiles	NCS standard colour: S 0500-N, Nearest RAL standard colour: 9016
---------------------------	---

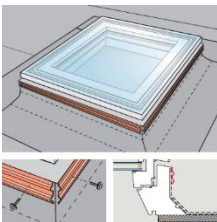
Blinds and awnings



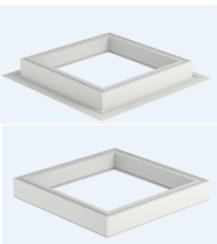
Interior suncreening	
Pleated blind	★
Double pleated blind	▲
Light-dimming energy blind	★★

★ Available in mains powered version
 ★★ Available in mains/solar powered version
 ▲ Available in solar powered version
 The mains and solar powered versions are part of the VELUX INTEGRA® product range.

Accessories



Securing kit ZZZ 210 ensures a safe joint between frame and roofing material



Frame extension with flange ZCE 0015 makes installation in warm or sedum roof constructions possible – extends frame height from 150 mm to 310 mm

Extra frame extension ZCE 1015 can be combined with frame extension with flange ZCE 0015 when frame height exceeding 310 mm is required

One ZCE 0015 can be combined with max three ZCE 1015

Note

We reserve the right to make technical changes.

For more information on VELUX INTEGRA® flat roof window CVP and other VELUX products, please visit www.velux.co.uk