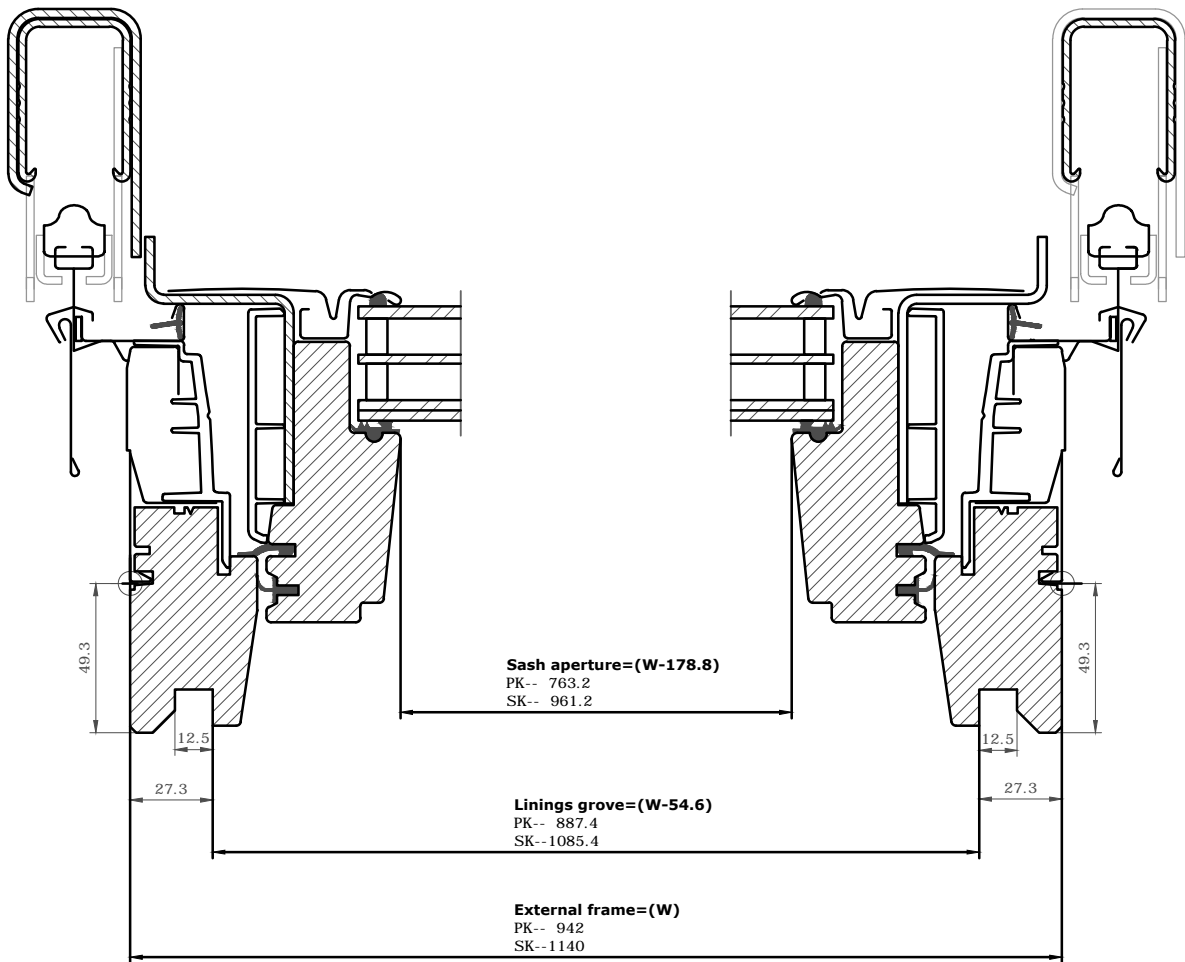
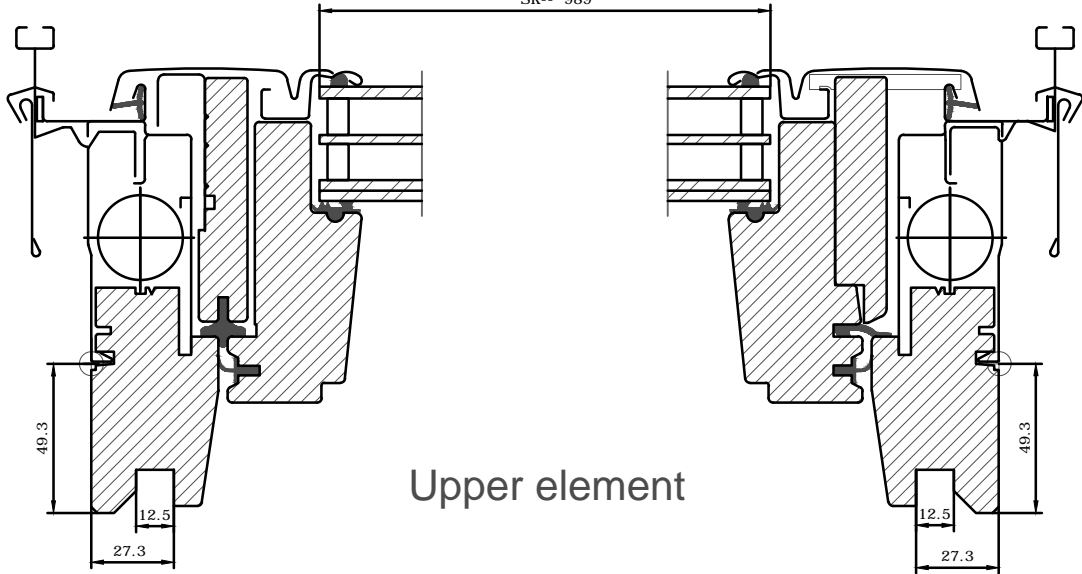


Horizontal section

(Vertical section on separate drawing)

Pane=(W-151)
PK-- 791
SK-- 989



Lower element

VELUX

GDL--66

20.01.2016/EMB

