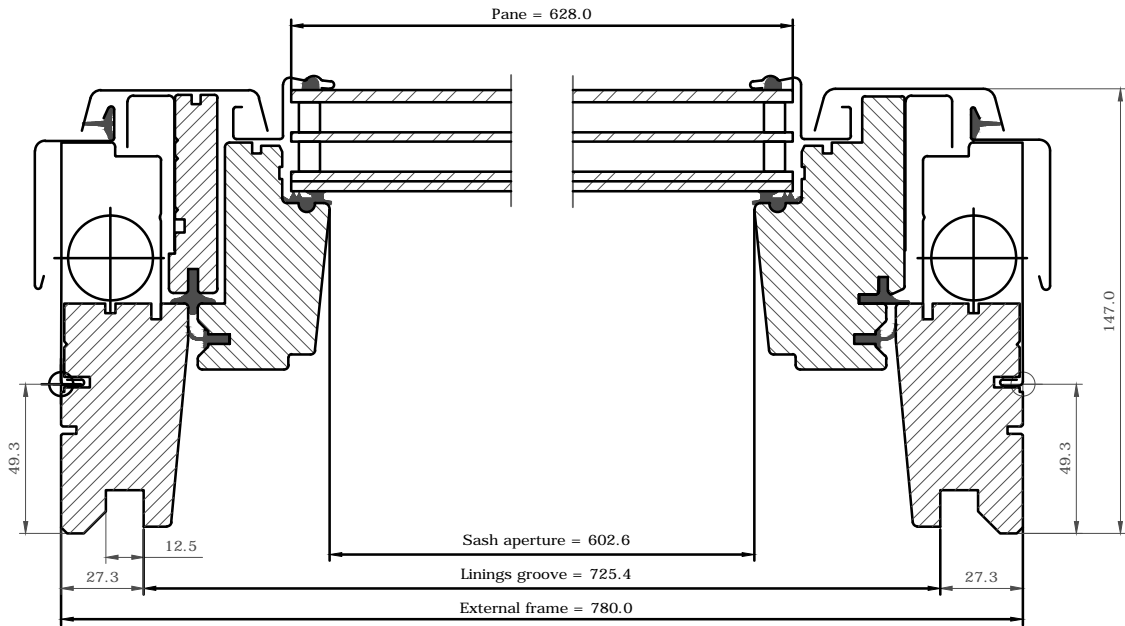


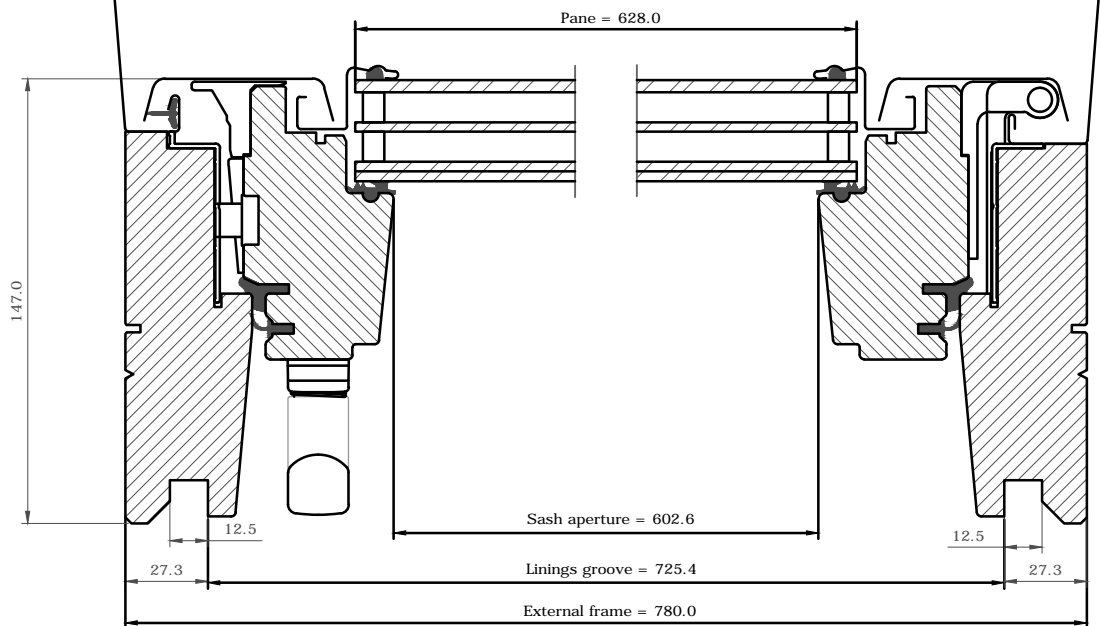
Horizontal section

Above pivot hinge Upper element



Below pivot hinge

Lower element VEA



VELUX

GEL + VEA --65G

17.02.2016/EMB

