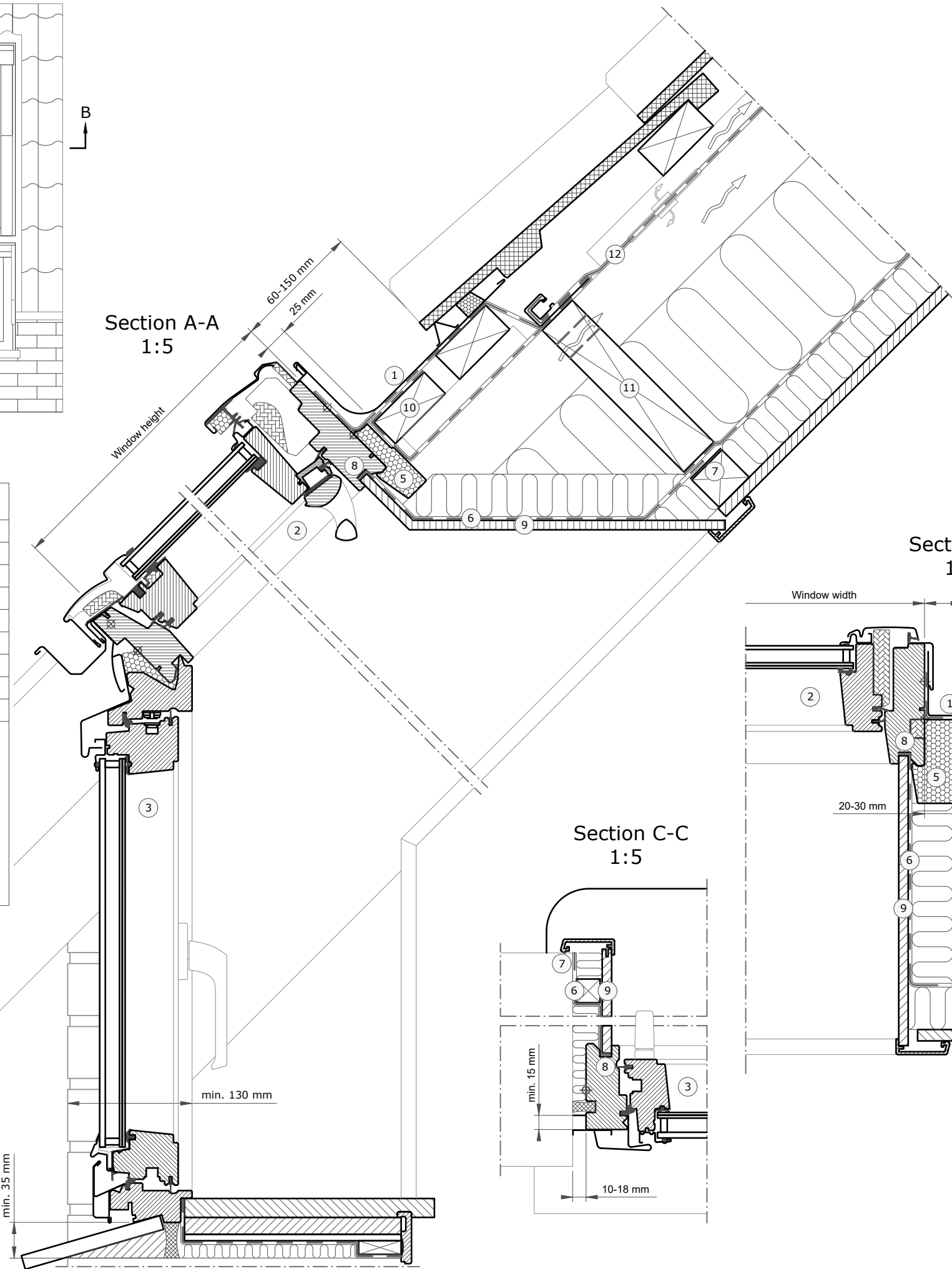
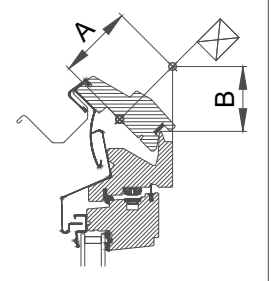
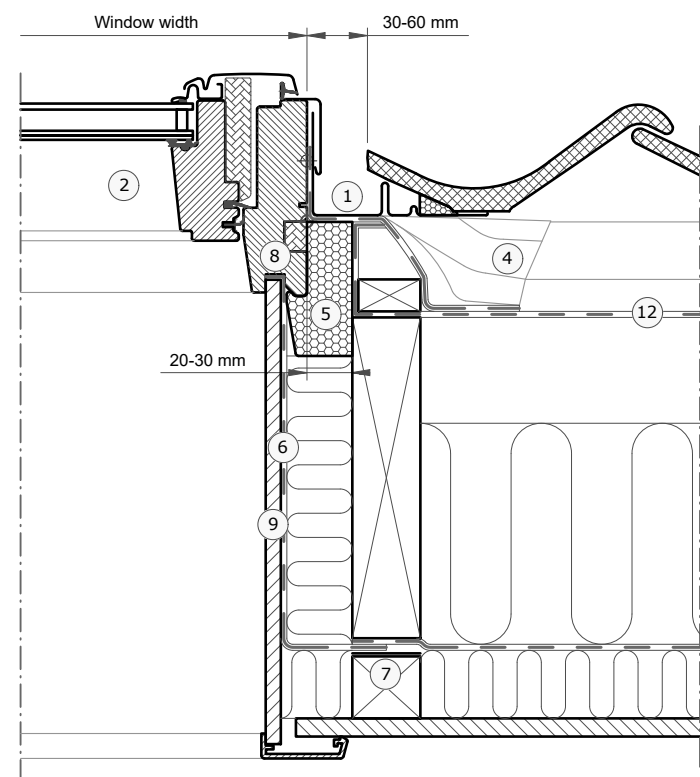


Section A-A
1:5

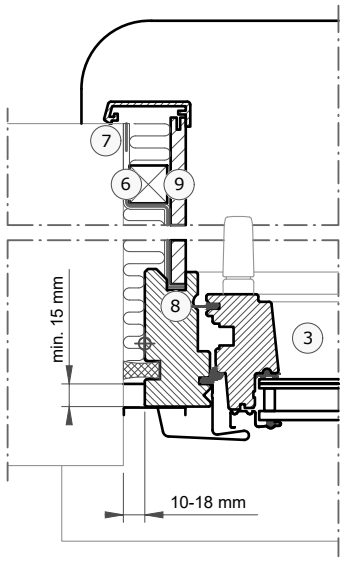
15°-55°	A mm	B mm
15°	50	40
20°	54	42
25°	59	45
30°	64	48
35°	70	53
40°	76	58
45°	84	64
50°	93	72
55°	104	83



Section B-B
1:5



Section C-C
1:5



- ① VELUX flashing (EFW 15°-55°)
- ② VELUX window (GGL 15°-90°)
- ③ VELUX window (VFA 90°)
- ④ VELUX underfelt collar (BFX)
- ⑤ VELUX insulation frame (BDX)
- ⑥ VELUX vapour barrier (BBX)
- ⑦ VELUX vapour barrier tape (BBX)
- ⑧ Gasket on BBX in window rebate
- ⑨ VELUX Lining (LS-, LVI)
- ⑩ Installation batten (Non VELUX)
- ⑪ Trimmer where necessary (Non VELUX)
- ⑫ Felt/breather membrane (Non VELUX)

Roof covering:

Tiles
Max 120 mm

VELUX Products:

- GGL 15°-90° VFA 90°
- EFW 15°-55° LS-
- BFX LVI
- BDX
- BBX

VELUX window sizes:

Size	Width (mm)	Size	Height (mm)
MK--	780	-K04	978
PK--	942	-K06	1178
SK--	1140	-K08	1398
		-K10	1600
		-K12	1800
		-K35	954
		-K36	1154
		-K38	1374

© VELUX GROUP ® VELUX, VELUX logo are registered trademarks

VELUX

File name: EFW-GGL-VFA-VAS-246-0319

Drawing no.:---		SCo: ---	
Create date: 04.03.2019	Rev. date: 26.04.2019	Format: A3	Scale: 1:5

Note: When installing VELUX Roof Windows, flashings and installation products, the manufacturers instructions and current building and fire regulations, where applicable, must be met.