

Product information

Flat roof smoke ventilation window CSP



Product description

- Mains powered smoke ventilation window for flat roofs
- CE-marked in accordance with EN 12101-2:2003
- Opening for smoke ventilation: 500 mm
- Opening for comfort ventilation: 150 mm
- Hidden lifting devices and motors
- Product height: 310 mm
- Wear-resistant, high quality white PVC frame
- Low energy insulating glass unit
- Protective dome
- Maintenance-free surfaces

Roof pitch

- Can be installed in roof pitches between 0° and 15°

Materials

- Extruded PVC
- Glass, laminated inner pane
- VELUX ThermoTechnology™ insulation
- Polycarbonate

Downloads

For installation instructions, CAD drawings, 3D BIM objects, 3D GDL objects etc, please visit velux.co.uk

Certifications



The VELUX product factories guarantee quality systems implementation process and environmental management systems through appropriate accreditations ISO 9001 and ISO 14001

EUTR In compliance with the EU Timber Regulation (EUTR), EU regulation 995/2010

REACH We are aware of the REACH regulation and acknowledge the obligations. No products are obliged to be registered in accordance to REACH and none of our products contain any Substances of Very High Concern.

Available sizes and daylight area

	600 mm	800 mm	900 mm	1000 mm	1200 mm	1500 mm
600 mm						
800 mm						
900 mm						
1000 mm				CSP 100100 (0.70)		
1200 mm					CSP 120120 (1.07)	
1500 mm						

Lining measurements

Size	W x H mm
100100	959x959
120120	1159x1159

External frame measurements

Size	W x H mm
100100	1422x1422
120120	1622x1622

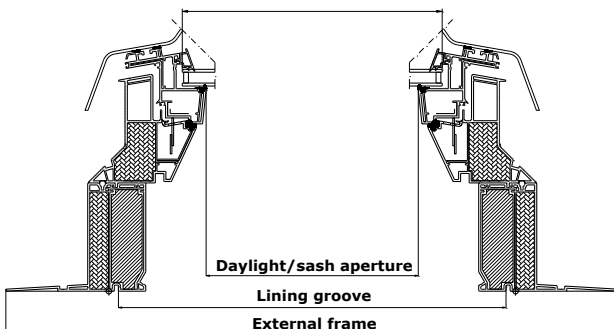
() = Effective daylight area, m²



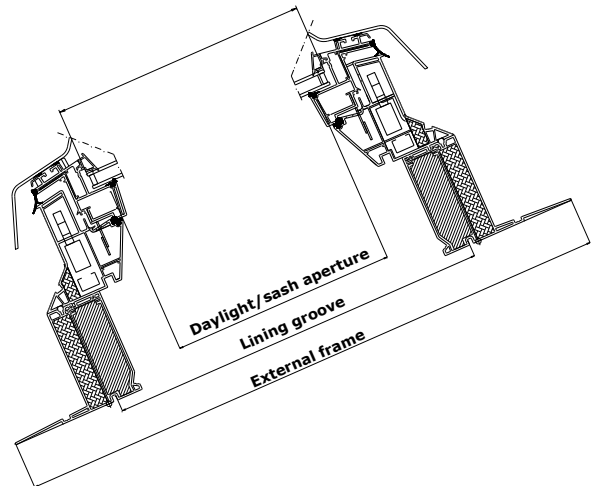
Flat roof smoke ventilation window CSP

- is an approved smoke ventilation window
- can be used in light commercial buildings or in stairwells where a smoke ventilation system is required
- features both smoke ventilation and comfort ventilation
- provides same amount of daylight as other VELUX flat roof windows
- integrates smoothly in the roof when installed together with other VELUX flat roof windows

Width



Height



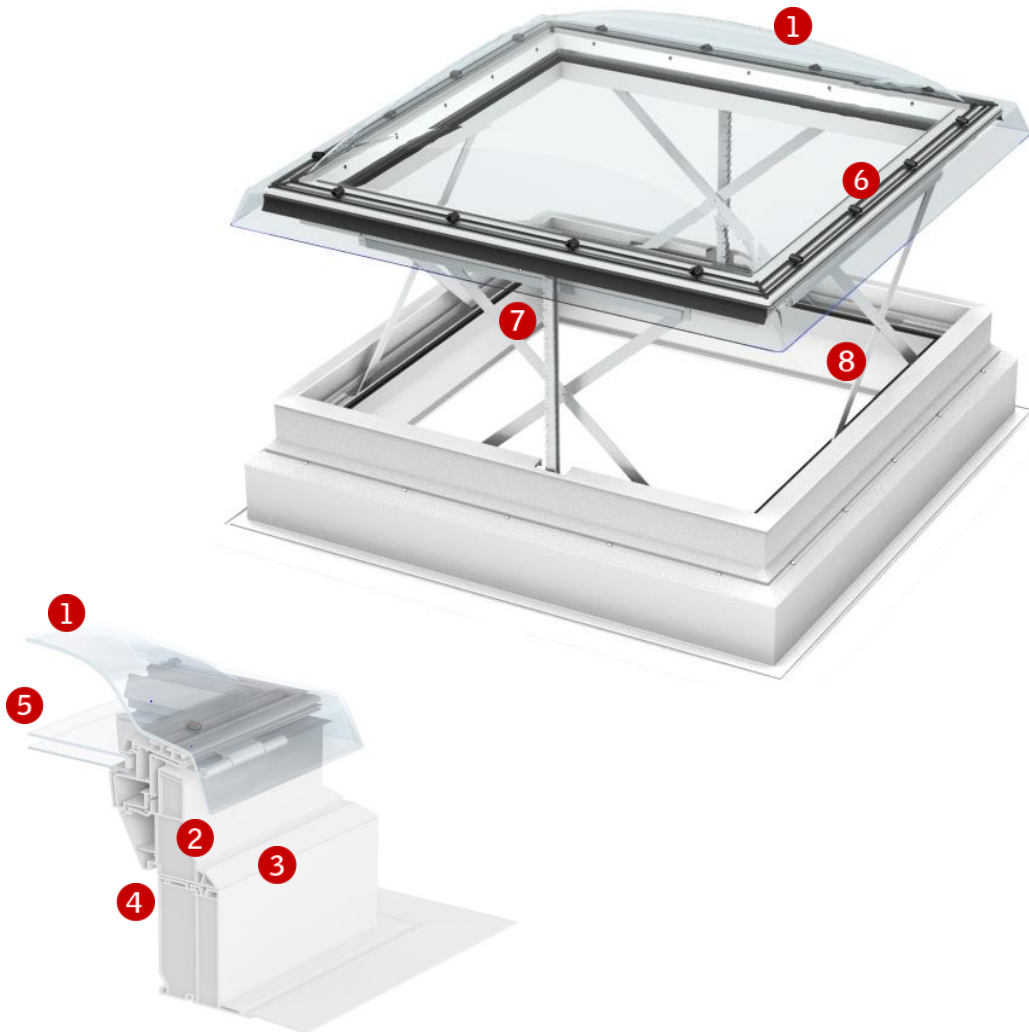
Technical values, ventilation area

Property	Window sizes	
	100100	120120
Geometric area A_v , m ²	0.88	1.3
Aerodynamic free area A_a , m ²	0.42	0.58

Glazing structure

	--73FQT
Inner glass pane	2 x 3 mm laminated float with low ϵ coating
Outer glass pane	4 mm float with coating
Cavity	14.5 mm
Glass panes	Double
Gas filling	Argon

Visible features



Note! Illustration shows VELUX INTEGRA® flat roof window CVP with frame extension ZCE 0015

1 Dome

- provides significant rain noise reduction and excellent sound insulation
- protects the insulating glass unit
- polycarbonate
- clear or opaque

2 Insulation

- frame filled with polystyrene for superb insulation

3 Frame

- extra high frame construction 310 mm
- PVC profiles provide a nice, smooth surface
- easy cleaning
- maintenance-free

4 Lining

- unique lining groove makes it easy to build an accurate lining and get a smooth finish

5 Insulating glass unit

- double-glazed
- inner laminated pane for personal safety

6 Dome fittings

- anchors make it easy to fit and secure the dome and to remove it for cleaning

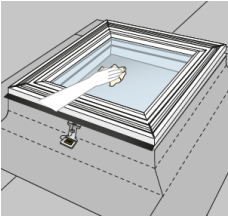
7 Lifting devices

- hidden motors in the frame
- rigid chains

8 Scissors

- scissor support arms on all four sides ensure stability

Cleaning and maintenance



To clean the outer pane of the insulating glass unit, remove the dome from the flat roof window.

Clean the dome, with clean water only. Do not add cleaners/detergents to the water.

Polycarbonate or acrylic dome



Polycarbonate dome:

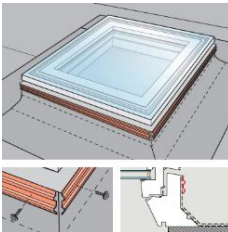
- extra impact-resistance and fire protection
- useful in some industrial buildings where the windows are installed close to fire breaks - or in places with frequent traffic on the roof
- available in clear and opaque

Interior finish

White PVC profiles

NCS standard colour: S 0500-N,
Nearest RAL standard colour: 9016

Accessories



Securing kit ZZZ 210 ensures a safe joint between frame and roofing material

Blinds and awnings



Exterior sun screening

Awning blind ▲

▲ Available in solar powered version
The mains and solar powered versions are part of the VELUX INTEGRA® product range.

Control options

Required:

Controls system KFC 210	For operation of one flat roof smoke ventilation window
Control system KFC 220	For operation of two flat roof smoke ventilation windows
Smoke detector KFA 100	For early fire detection
Break-glass point KFK 100	For activating the smoke ventilation function

Optional:

Ventilation switch KFK 200	For daily comfort ventilation
Rain sensor KLA 200	Closes the flat roof window automatically in case of rain

Note

We reserve the right to make technical changes.

For more information on flat roof window CFP and other VELUX products, please visit velux.co.uk