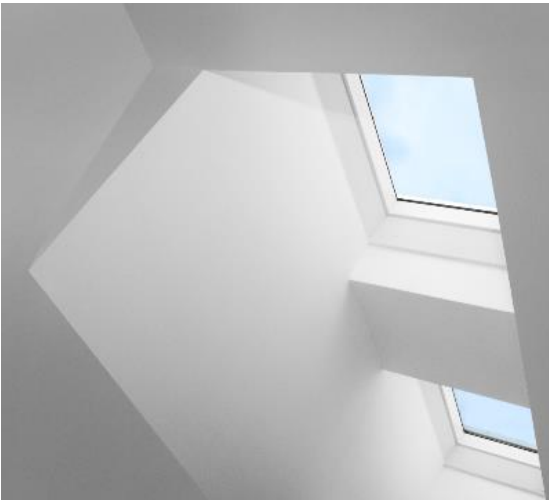


## Product information

# Fixed flat roof window CFP with dome cover ISD



### Product description

- Fixed (non-opening) window for flat roofs
- Wear-resistant, high quality white PVC frame
- Low energy insulating glass unit
- Protective dome
- Maintenance-free surfaces

### Roof pitch

- Can be installed in roof pitches between 0° and 15°

### Materials

- Extruded PVC
- Glass, laminated inner pane
- VELUX ThermoTechnology™ insulation
- Polycarbonate dome

### Downloads

For installation instructions, CAD drawings, 3D BIM objects, 3D GDL objects etc, please visit [velux.co.uk](http://velux.co.uk)

## Certifications



The VELUX product factories guarantee quality systems implementation process and environmental management systems through appropriate accreditations ISO 9001 and ISO 14001

**EUTR** In compliance with the EU Timber Regulation (EUTR), EU regulation 995/2010

**REACH** We are aware of the REACH regulation and acknowledge the obligations. No products are obliged to be registered in accordance to REACH and none of our products contain any Substances of Very High Concern.

**Available sizes and daylight area**

	600 mm	800 mm	900 mm	1000 mm	1200 mm	1500 mm
600 mm	<b>CFP 060060</b> (0.19)					
800 mm		<b>CFP 080080</b> (0.40)				
900 mm	<b>CFP 060090</b> (0.32)		<b>CFP 090090</b> (0.54)			
1000 mm				<b>CFP 100100</b> (0.70)		
1200 mm			<b>CFP 090120</b> (0.76)		<b>CFP 120120</b> (1.07)	
1500 mm				<b>CFP 100150</b> (1.11)		<b>CFP 150150</b> (1.78)

( ) = Effective daylight area, m<sup>2</sup>

**Lining measurements**

Size	W x H mm
060060	559x559
080080	759x759
060090	559x859
090090	859x859
090120	859x1159
100100	959x959
100150	959x1459
120120	1159x1159
150150	1459x1459

**External frame measurements**

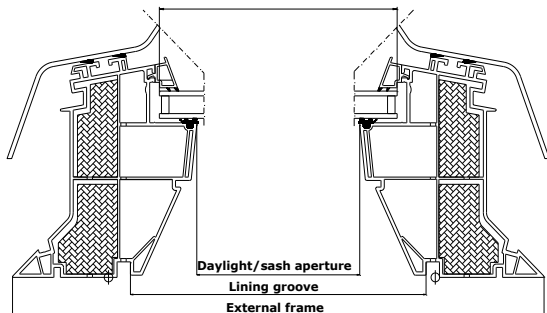
Size	W x H mm
060060	780x780
080080	980x980
060090	780x1080
090090	1080x1080
090120	1080x1380
100100	1180x1180
100150	1180x1680
120120	1380x1380
150150	1680x1680



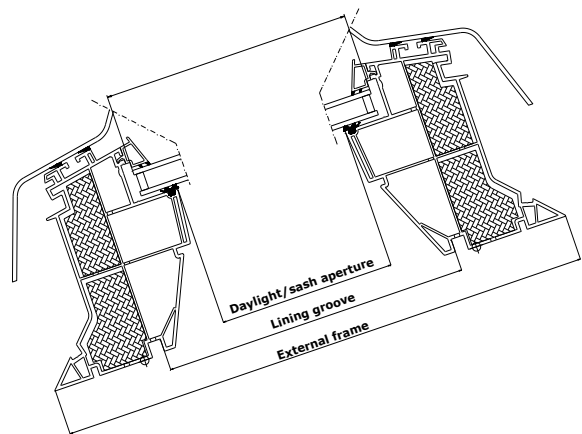
**Flat roof window CFP**

- is a fixed (non-opening) window
- adds daylight to rooms with very little natural light
- features a modern and attractive design
- can be combined with vented flat roof windows for the ultimate combination of natural light and fresh air

**Width**



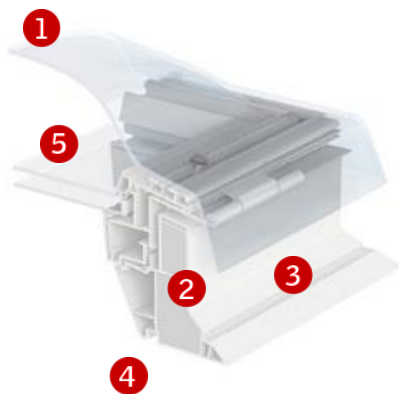
**Height**



**Glazing structure**

	<b>--73QV</b>
<b>Inner glass pane</b>	2 x 3 mm laminated float with low $\epsilon$ coating
<b>Outer glass pane</b>	4 mm float with coating
<b>Cavity</b>	14.5 mm
<b>Glass panes</b>	Double
<b>Gas filling</b>	Argon

Visible features



Note! Illustration shows VELUX INTEGRA® flat roof window CVP

**1 Dome**

- provides significant rain noise reduction and excellent sound insulation
- protects the insulating glass unit
- polycarbonate
- clear or opaque

**2 Insulation**

Frame filled with polystyrene for superb insulation.

**3 Frame**

- PVC profiles provide a nice, smooth surface
- easy cleaning
- maintenance-free

**4 Lining groove**

Unique lining groove makes it easy to build an accurate lining and get a smooth finish

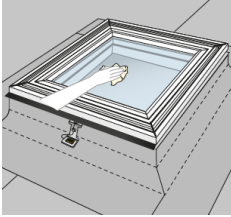
**5 Insulating glass unit**

- double-glazed
- inner laminated pane for personal safety

**6 Dome fittings**

Anchors make it easy to fit and secure the dome and to remove it for cleaning

## Cleaning and maintenance



To clean the outer pane of the insulating glass unit, remove the dome from the flat roof window.

Clean the dome with clean water only.

Do not add cleaners/detergents to the water (applies to both insulating glass unit and dome).

## Acrylic or polycarbonate dome



Polycarbonate dome:

- extra impact-resistance and fire protection
- useful in some industrial buildings where the windows are installed close to fire breaks - or in places with frequent traffic on the roof available in clear and opaque

- 

## Blinds and awnings



**Interior suncreening**

- Pleated blind ★
- Double pleated blind ▲



**Exterior suncreening**

- Awning blind ▲

- ★ Available in mains powered version
- ▲ Available in solar powered version

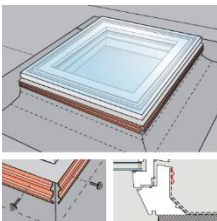
The mains and solar powered versions are part of the VELUX INTEGRA® product range.

## Interior finish

**White PVC profiles**

NCS standard colour: S 0500-N,  
Nearest RAL standard colour: 9016

## Accessories



Securing kit ZZZ 210 ensures a safe joint between frame and roofing material

Frame extension with flange ZCE 0015 makes installation in warm or sedum roof constructions possible - extends frame height from 150 mm to 310 mm

Extra frame extension ZCE 1015 can be combined with frame extension with flange ZCE 0015 when frame height exceeding 310 mm is required

One ZCE 0015 can be combined with max three ZCE 1015

## Control options

Control system  
KUX 110

For operation of mains powered sunscreening products

## Note

We reserve the right to make technical changes.  
For more information on flat roof window CFP and other VELUX products, please visit [velux.co.uk](http://velux.co.uk)